

Australia Showroom & Factory

Sydney Add: (TBC)

Melbourne Add: 1/214-224 Wellington Road, Clayton, VIC 3168

Canberra Add: Unit 2, 80-82 Newcastle Street Fyshwick ATC 2609

Chinese Factory

Add: B6, Coipu Industrial Park, Lubao Town,
Sanshui District, Foshan City, Guangdong Province.



WeChat



Website Address

FOLLOW US



Australia Contact Number:
English Service: 0474903399 (Rue)
Chinese Service: 0415582610 (James)
China Phone: +86 13918902610
Email: james.huang@rswindows.com.au
Web: www.rswindows.com.au

MANUFACTURER:

Australia RS Doors&Windows Pty Ltd



RS DOORS & WINDOWS

Australia RS Doors&Windows Pty Ltd

RS100 COMMERCIAL GRADE SERIES





About

Us



Melbourne Factory



Foshan Factory in China

Australia RS Doors&Windows Co., Ltd is one of the experienced manufacturers of aluminum windows&doors, we focus on Australian market for more than 10 years. Our products comply with AS2047, AS1288, AGWA, WERS certificates and so on. We specialize in providing you with creative and diverse residential and commercial window and door solutions to help you build your dream home.

For over ten years, our Quality, Value & Service have set the benchmark in the industry and enjoyed high reputation in the market.

Our aim is to provide the best value to the people we serve. We achieve this by providing guidance, expertise, and commitment to assist you with compliant installations. We have a continuous improvement culture that focuses on delivering a better product & service at a higher quality, quicker lead-time and at a competitive price. Our delight is to give you confidence and peace of mind.

Established in 2005, we attribute much of our success to many people we serve and dedicated business partners who have the same core principles of trust and integrity. As members of the Australian Window Association, you can be confident that our products have been tested in WERS Window Energy Rating Scheme and comply with Australian Standards AS2047 & AS1288.

We are look forward to being of service and supply high quality products to you!

COMPANY CERTIFICATES

CERTIFICATE NO:SMK40453

THE AGWA LIMITED IS A NATA ACCREDITED INSPECTION AGENCY.ACCREDITATION.13739

SCHEDULE TO
STANDARDSMARK LICENCE

SAI Global hereby grants:
Australia RS Doors&Windows Pty Ltd
9 Oak Avenue, Cheltenham, VIC 3192, Australia

StandardsMark Licence
Manufactured to:
AS 2047-2014 - Windows and external glazed doors in buildings - This certification excludes installation

Model identification of the goods on which the STANDARDSMARK may be used:

Fastening Type	Model ID & Description	Maximum Size (mm)	RLD Design Wind Pressure (Pa)	Date Endorsed
Horizontal sliding door	RS100 Aluminum Sliding Door / Aluminum Door	2700H x 3200W	1800	28 Nov 2021
Projecting sash	RS100 - Aluminum Awning Window	1500(W) x 1500(H)	1200	6 Aug 2018
Horizontal sliding window	RS086 Sliding Window / Aluminum Window	1500H x 1800W	800	9 Sep 2020
Swinging door	RS086 Commercial Series / Aluminum Door	2700H x 3200W	800	28 Nov 2021
Vertical sliding window	RS082 Double Hung Window	1600H x 800W	800	6 Aug 2018
Horizontal sliding door	RS100 Commercial Series - Aluminum Sliding Door	3610(W) x 2370(H)	400	6 Aug 2018
Horizontal sliding door	RS086 Sliding Door / Aluminum Door	2400H x 2700W	800	9 Sep 2020
Projecting sash	RS086 Awning Window / Aluminum Window	1800H x 1500W	800	9 Sep 2020

End of Record

Certificate No: SMK40453 Issued Date: 5 June 2023

This schedule supersedes all previously issued schedules

* For details of manufacture, refer to the license

The STANDARDSMARK is a registered certification trademark of SAI Global Pty Limited (A.C.N. 050 644 642) and is issued under licence by SAI Global Certification Services Pty Limited (A.C.N. 108 716 699) ("SAI Global") 450 Lorrain Street, Port Melbourne VIC 3207, GPO Box 5420 Sydney NSW 2001. This certificate remains the property of SAI Global and must be returned to SAI Global upon its request. Refer to www.saiglobal.com for the list of product models.

Page 1 of 1

THE COMPANY'S TEST REPORT

STANDARDSMARK LICENCE

SAI Global hereby grants:
Australia RS Doors&Windows Pty Ltd
ABN 59 029 271 227

9 Oak Avenue, Cheltenham, VIC 3192, Australia

StandardsMark Licence
Manufactured to:
AS 2047-2014 - Windows and external glazed doors in buildings - This certification excludes installation

"the StandardsMark Licensee" the right to use the STANDARDSMARK as shown below only in respect of the goods described and detailed in the Schedule which are produced by the Licensee or on behalf of the Licensee* and which comply with the appropriate Standard referred to above as from time to time amended. The Licence is granted subject to the rules governing the use of the STANDARDSMARK and the Terms and Conditions for certification and licence. The Licensee covenants to comply with all the Rules and Terms and Conditions.

Certificate No:SMK40453

Issued: 5 June 2023 **Originally Certified: 20 July 2015**
Expires: 19 July 2025 **Current Certification: 31 May 2023**

Calin Moldovean
President, Business Association
SAI Global Assurance

SAI GLOBAL
INFORM. INSPIRE. IMPROVE.

* For details of manufacture, refer to the license

The STANDARDSMARK is a registered certification trademark of SAI Global Pty Limited (A.C.N. 050 644 642) and is issued under licence by SAI Global Certification Services Pty Limited (A.C.N. 108 716 699) ("SAI Global") 450 Lorrain Street, Port Melbourne VIC 3207, GPO Box 5420 Sydney NSW 2001. This certificate remains the property of SAI Global and must be returned to SAI Global upon its request. Refer to www.saiglobal.com for the list of product models.

WINDOW ENERGY RATING

CERTIFICATE OF MEMBERSHIP 2020

This is to certify that

AUSTRALIA RS DOORS & WINDOWS PTY LTD

ACCREDITED MEMBER NUMBER: 2001

is a current member of the Window Energy Rating Scheme and undertakes to abide by the WERS Rules and Code of Ethics.

WERS Sustainability Manager

AGWA AUSTRALIAN GLASS & WINDOW ASSOCIATION

2022 CERTIFICATE OF MEMBERSHIP

THIS IS TO CERTIFY THAT

Australia RS Doors&Windows Pty Ltd

MEMBER NUMBER 2001

is a current member of AGWA Limited and undertakes to abide by the AGWA Rules and Code of Ethics.

Chairperson Executive Director & CEO

intertek
Total Quality Assured.

Australia RS Doors&Windows Pty Ltd

TEST REPORT

SCOPE OF WORK
Window and Door

REPORT NUMBER
220929039GZU-001

ISSUE DATE
2022/10/11

PAGES
14

intertek
Intertek Testing Services Shenzhen Ltd, Guangzhou Branch

intertek
Total Quality Assured.

Test Report

Issue Date: 2022/10/11 Intertek Report No: 220929039GZU-001

Applicant: **Australia RS Doors&Windows Pty Ltd**

Applicant Address: **86 Keyi Industrial Zone, Lubao Town, Sanshui District, Foshan City, Guangdong Province, China**
Attn: **James Huang**

Manufacturer: **GUANGDONG NUOSHENG DOORS & WINDOWS CO., LTD**

Manufacturer Address: **86 Keyi Industrial Zone, Lubao Town, Sanshui District, Foshan City, Guangdong Province, China**
Attn: **James Huang**

SUBJECT: **Performance testing < Aluminum Awning Window >**

Dear Sir,

This report represents the results of our evaluation of the above referenced product(s) to the requirements contained in the following standards:

TEST METHODS AND STANDARDS
AS 2047:2014 Windows and external glazed doors in buildings

SAMPLE ID	MODEL	SPECIFICATION
S220929039GZU-001	RS00 Awning window	750 mm (Width) x 2400 mm (Height) x 58 mm (Thickness)

SAMPLE RECEIVED: 2022/9/28 TESTED FROM: 2022/9/29 TO: 2022/9/29

TEST LOCATION: **C2-1 Building Heping Fair, Yongning Street, Zengcheng District, Guangzhou, China**

This report is for the exclusive use of Intertek's Client and is provided pursuant to the agreement between Intertek and its Client. Intertek's responsibility and liability are limited to the terms and conditions of the agreement. Intertek assumes no liability to any party other than to the Client in accordance with the agreement, for any loss, expense or damage occasioned by the use of this report. Only the Client is authorized to permit copying or distribution of this report and then only in its entirety. Any use of the Intertek name or one of its marks for the sale or advertisement of the tested material, product or service must first be approved in writing by Intertek. The observations and test results in this report are relevant only to the sample tested. This report by itself does not imply that the material, product, or service is or has ever been under an Intertek certification program. All the test results given the statement of conformity refer to the decision rule of "Procedure 2 "Accuracy Method" as stated in the IEC Guide 115:2007.

2 of 14



RS100 SLIDING WINDOWS

Much like sliding doors, sliding windows open horizontally, by sliding along rails. Sliding windows are easy to use, low maintenance, and economical. Sliding windows also offer the possibility of having very large windows which can be easily opened without significant effort.



Standard: AS2047

Design SLS/ULS:600Pa/2000Pa	WERS Data: Uw Range:3.5 - 6.4
Design Water Resistance:200Pa	SHGC Range:0.33 - 0.60
Sound Insulation:<36DB	



TECHNICAL SPECIFICATIONS

Available size:Max Height: 1800mm
Max Window Panel width: 1500mm

Maximum adaptive weight:80KG

Available glazing:Double Glazed: up to 26mm IGU

Frame dimension:Frame Depth: 105mm ;
Bottom frame Height : 45mm

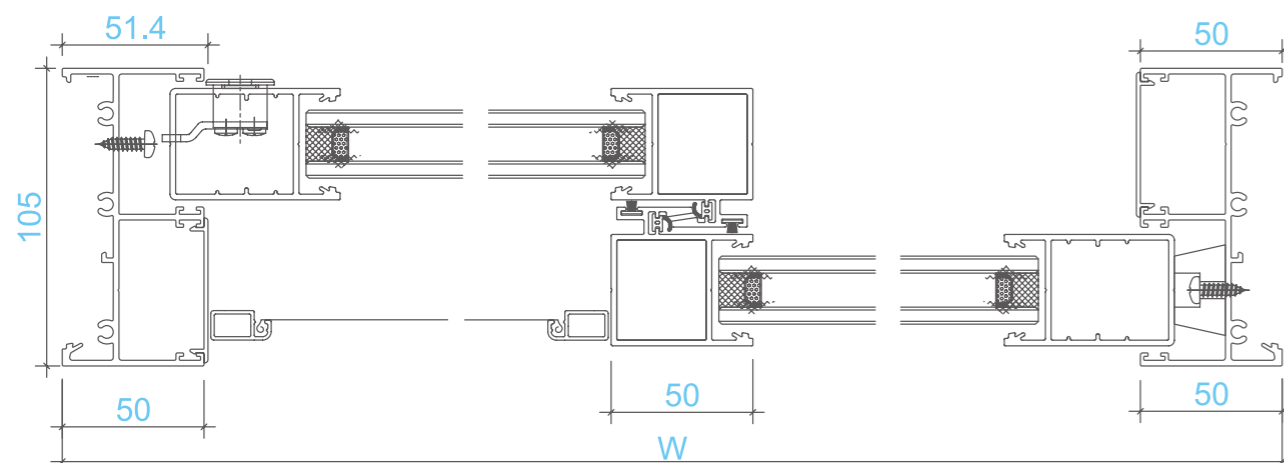
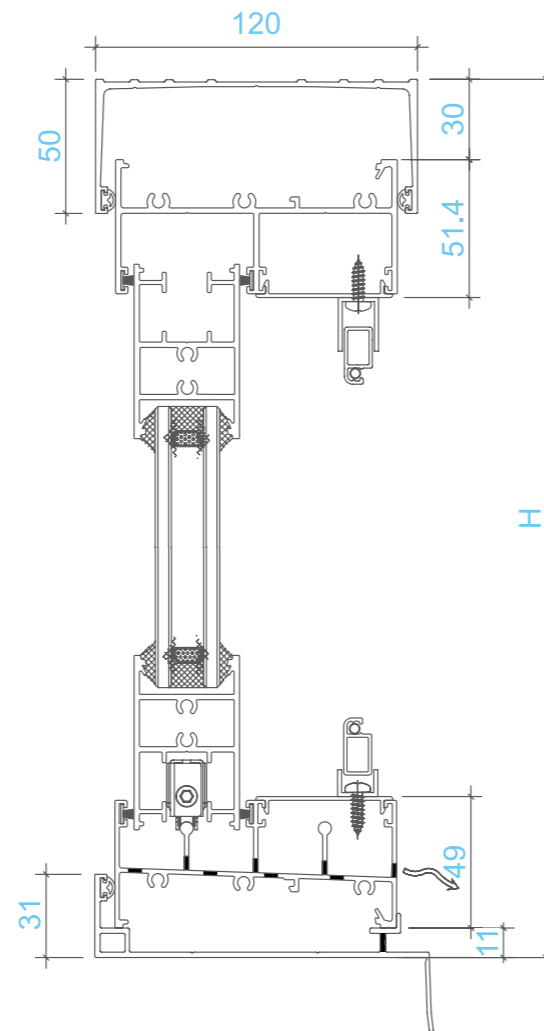
Extrusion Profiles :6063-T5 with 1.6mm Thickness

Powder Coating : AKZO-NOBLE Interpon Powder with
10 Years Warranty

Flynet : Fiberglass and Stainless Steel Security Mesh
Available

Fixing Method:Sub sill/head /Fin fix / face fix /Timber reveal

Hardware : China Brand & Australia Doric Available



Hardware Selections

① Brand: Doric

② Origin Country: Australia

③ Model: DS6005

④ Color: Black, Silver

Feature:

The DS6005 Avon Sliding window lock has a sleek contemporary design with a large, easy to grab handle.

Hardware Selections

① Brand: Doric

② Origin Country: Australia

③ Model: DN560

④ Color: Black, Silver

Feature:

The DN560 sliding window lock is the perfect compliment for windows that demand style.





RS100 CHAIN WINDER AWNING WINDOW

As the awning window's chain winder is located on the sill, these windows can be positioned higher up along the wall to limit anyone being able to see in, whilst still allowing in all the fresh air and natural light. Alternatively, if this type of window is used in a bathroom, using an obscure glass allows you to use this window for ventilation while still getting all the benefits of the privacy glass.



Standard: AS2047

Design SLS/ULS:1200Pa/4000Pa	Design Water Resistance:450Pa
WERS Data:Uw Range:4.6 - 6.9	SHGC Range:0.28 - 0.46
Sound Insulation:<38DB	



TECHNICAL SPECIFICATIONS

Available size: Max Height: 2400mm, Max Window Panel width: 2400mm

Maximum adaptive weight: 100KG

Available glazing: Double Glazed: up to 26mm IGU

Frame dimension: Frame Depth: 105mm ; Bottom frame Height : 54mm

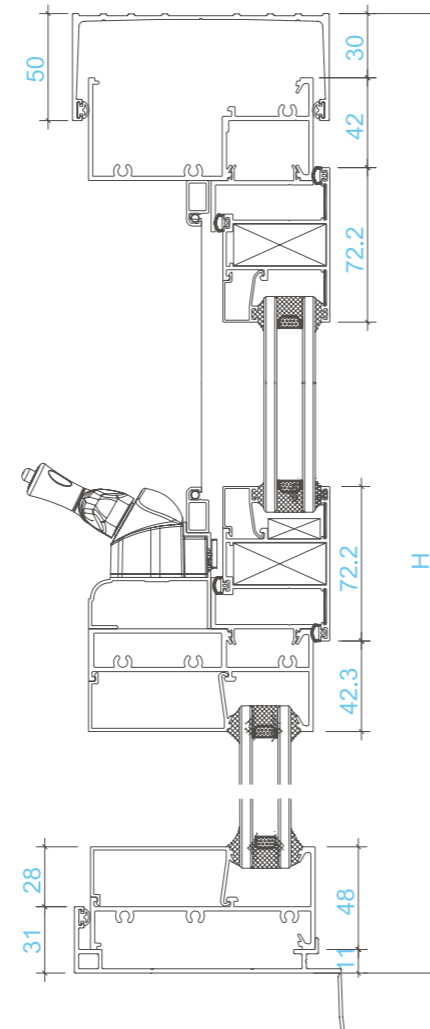
Extrusion Profiles : 6063-T5 with 2.0mm Thickness

Powder Coating : AKZO-NOBLE Interpon Powder with 10 Years Warranty

Flynet : Fiberglass and Stainless Steel Security Mesh Available

Fixing Method: Sub sill/head / Fin fix / Timber reveal

Hardware : German Brand & Australia Doric Available



DS1 Chainwinder

① Brand: Doric

② Origin Country: Australia

③ Model: DS1

④ Color: Black, Silver

Feature:

Being the industry leader, the DS1 Chainwinder allows for easy operation and installation in a secure key lockable configuration.

DN400 Twin Chainwinder

① Brand: Doric

② Origin Country: Australia

③ Model: DN400

④ Color: Black, Silver

Feature:

The DN400 Twin Chainwinder can be pre-restricted in order to comply with the NCC and to meet the requirements of Kids Don't Fly.





RS100 FIXED WINDOW

Fixed window can help to keep your room warm in winter and cool in summer, making for effective energy saving and climate control.



Standard: AS2047

Design SLS/ULS:1200Pa/4000Pa	Design Water Resistance:600Pa
WERS Data: Uw Range:2.9~6.3	SHGC Range:0.40 - 0.73
Sound Insulation:<40DB	

TECHNICAL SPECIFICATIONS

Available size:Max Height: 3000mm,Max Window Panel width: 3000mm

Maximum adaptive weight: 300KG

Available glazing:Double Glazed: up to 26 IGU

Frame dimension:Frame Depth: 105mm ;Bottom frame Height : 54mm

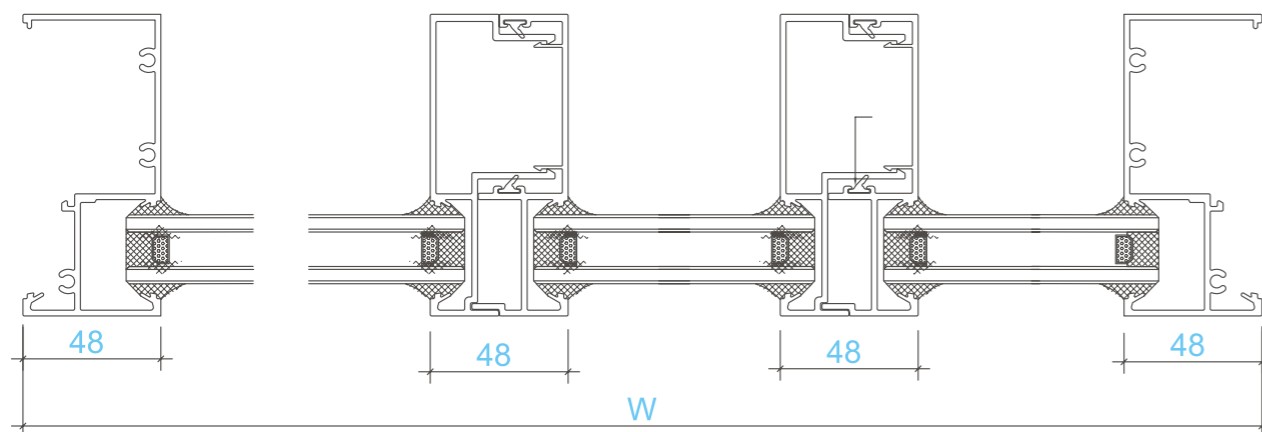
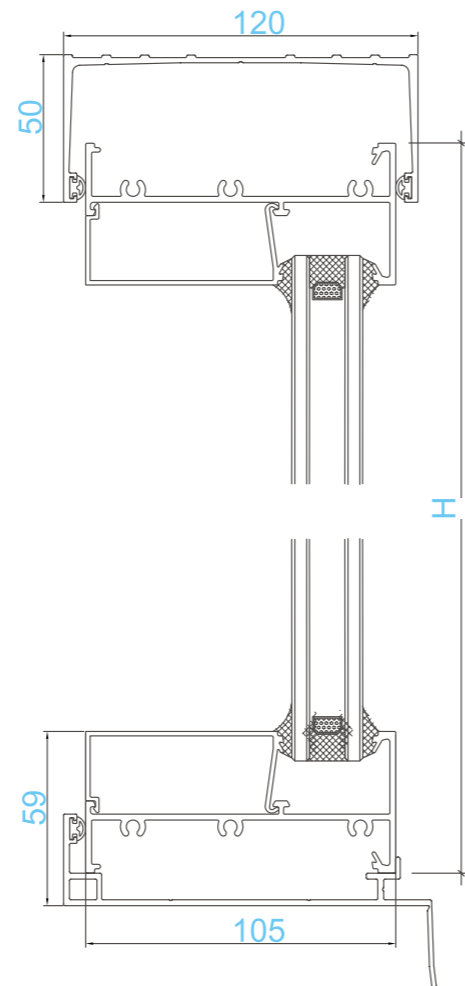
Extrusion Profiles :6063-T5 with 2.0mm Thickness

Powder Coating : AKZO-NOBLE Interpon Powder with 10 Years Warranty

Flynet : Fiberglass and Stainless Steel Security Mesh Available

Fixing Method:Sub sill/head/ Fin fix /Timber reveal

Hardware : without





RS100 DOUBLE HUNG WINDOW

Aluminium double hung windows offer a simple aesthetic that is ideal for a variety of different interior and exterior styles. The minimal design conceals a spring balance operating system and internal rivets. The vertical sliding of our aluminium double hung windows allows for effortless ventilation, with equally easy cleaning and low maintenance.



Standard: AS2047

Design SLS/ULS:1000~3000pa	Design Water Resistance:250pa
WERS Data: Uw Range:2.6~3.6	SHGC Range:0.32 - 0.65
Sound Insulation:<38DB	



TECHNICAL SPECIFICATIONS

Available size:Max Height:1200,Max Window Panel width: 1500

Maximum adaptive weight:50KG

Available glazing:Double Glazed: up to 26mm IGU

Frame dimension:Frame Depth:105mm;Bottom frame Height : 65mm

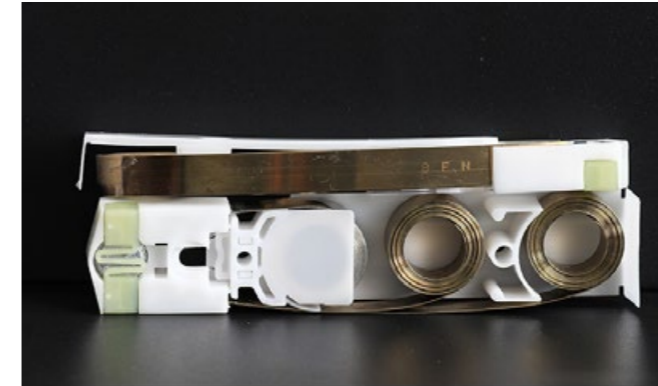
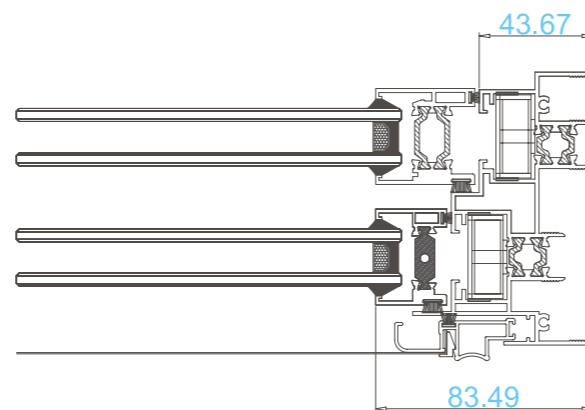
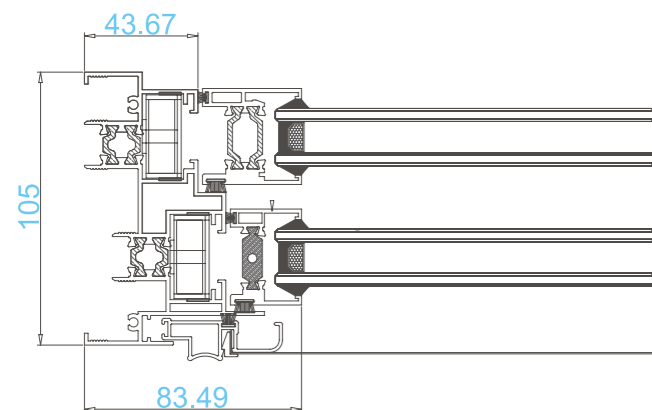
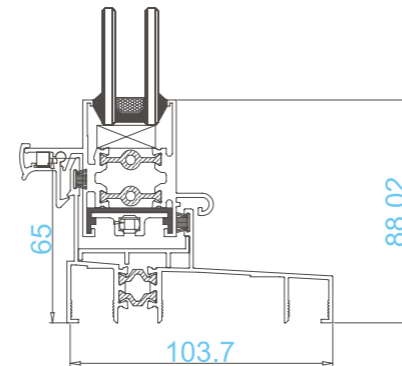
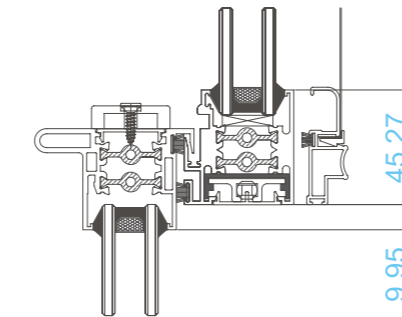
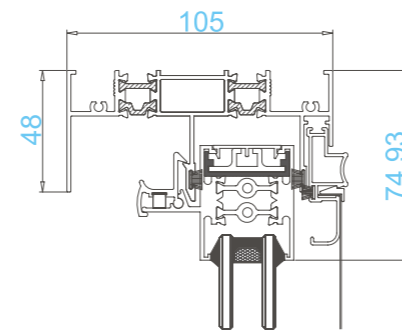
Extrusion Profiles :6063-T5 with 1.6mm Thickness

Powder Coating : AKZO-NOBLE Interpon Powder with 10 Years Warranty

Flynet : Fiberglass and Stainless Steel Security Mesh Available

Fixing Method:Sub sill/head /Fin fix /Timber reveal

Hardware : USA-Caldwell



Quick tilt application

① Brand: USA-Caldwell

② Origin Country: USA

③ Model: RS-TS02

④ Color: Black, White

Feature:

Pre assembled- reduce window assembly time Intergrated coil next and cover-Minimizes Contamination and Debris Robust drop in Cam-excellent structure performanceOptional friction adjuster-allows for easy field adjustment Optional Tamper lock-Limits Unintened Sash Removal

Commercial new construction

① Brand: USA-Caldwell

② Origin Country: USA

③ Model: RS-TS01

④ Color: Black, White

Feature:

High Lift Assistance-Make a heavy sash easy to operate Boosted force curve-Fits many common balance pockets AMAA Class 5 rating-balance lift 70% of sash weight Low carbon steel Rod-Rust resistance





RS100 GLASS LOUVRE

Glass louvre is the perfect addition to any living space, and with several glass options to choose from, you can ensure the perfect view. Durable and stylish, they strike a unique balance of effortless luxury.



Standard: AS2047

Design SLS/ULS:400pa/1200pa	Design Water Resistance:150pa
WERS Data: Uw Range:4.6~6.5	SHGC Range:0.45 - 0.76
Sound Insulation:<28DB	

TECHNICAL SPECIFICATIONS

Available size: Max Height: 2700mm, Max Window Panel width: 800mm

Maximum adaptive weight: 10KG

Available glazing: Double Glazed: up to 6mm

Frame dimension: Frame Depth: 105mm ; Bottom frame Height : 50mm

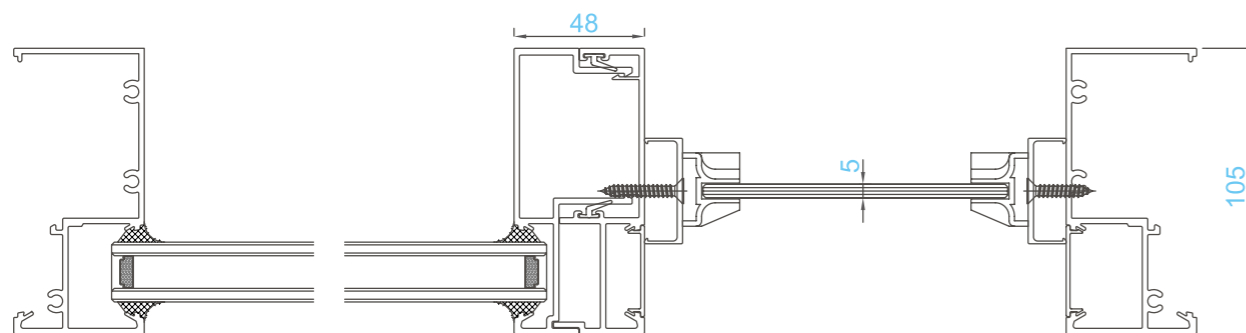
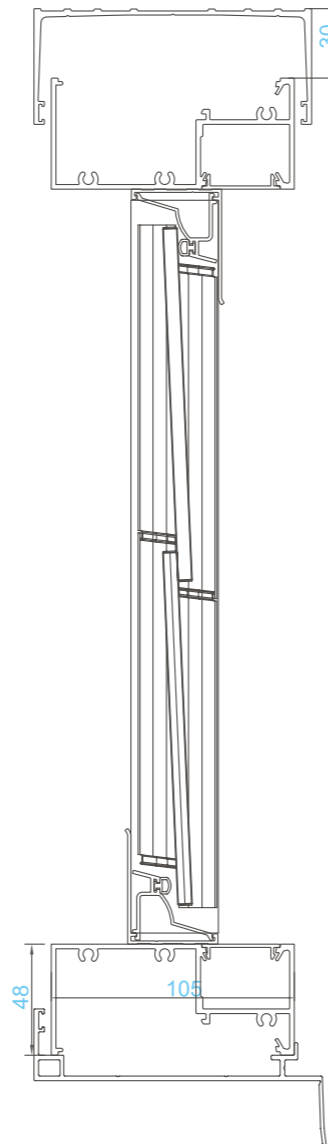
Extrusion Profiles : 6063-T5 with 2.0mm Thickness

Powder Coating : AKZO-NOBLE Interpon Powder with 10 Years Warranty

Flynet : Fiberglass and Stainless Steel Security Mesh Available

Fixing Method: Sub sill/head / Fin fix / Timber reveal

Hardware : CHN-MTEN



RS Louvre Galleries

① Brand: China Brand

② Origin Country: China

③ Model: 6ALPP24

④ Color: Black, white

Feature:

Louvres are the ideal window solution to creating an open functional living environment. Vent, the 100% Opening Advantage Ergonomic handle design Non-Scratch UV-stabilised powder coat



RS100 SLIDING DOOR

Sliding door open horizontally, and are held up by wheels or suspended on a track, unlike standard doors which are suspended on hinges and open by turning. Sliding doors are commonly used for bathrooms and for external doors made of glass. Sliding doors save space, allow maximum light, and can create an open and spacious appearance.



Standard: AS2047

Design SLS/ULS:1600Pa/3000Pa	Design Water Resistance:200pa
WERS Data: Uw Range:3.1 - 6.1	SHGC Range:0.41 - 0.67
Sound Insulation:<36DB	



TECHNICAL SPECIFICATIONS

Available size:Max Height:3000mm,Max Window Panel width: 1600mm

Maximum adaptive weight:200KG

Available glazing:Double Glazed: up to 26mm IGU

Frame dimension:Frame Depth:105mm;Bottom frame Height : 45mm

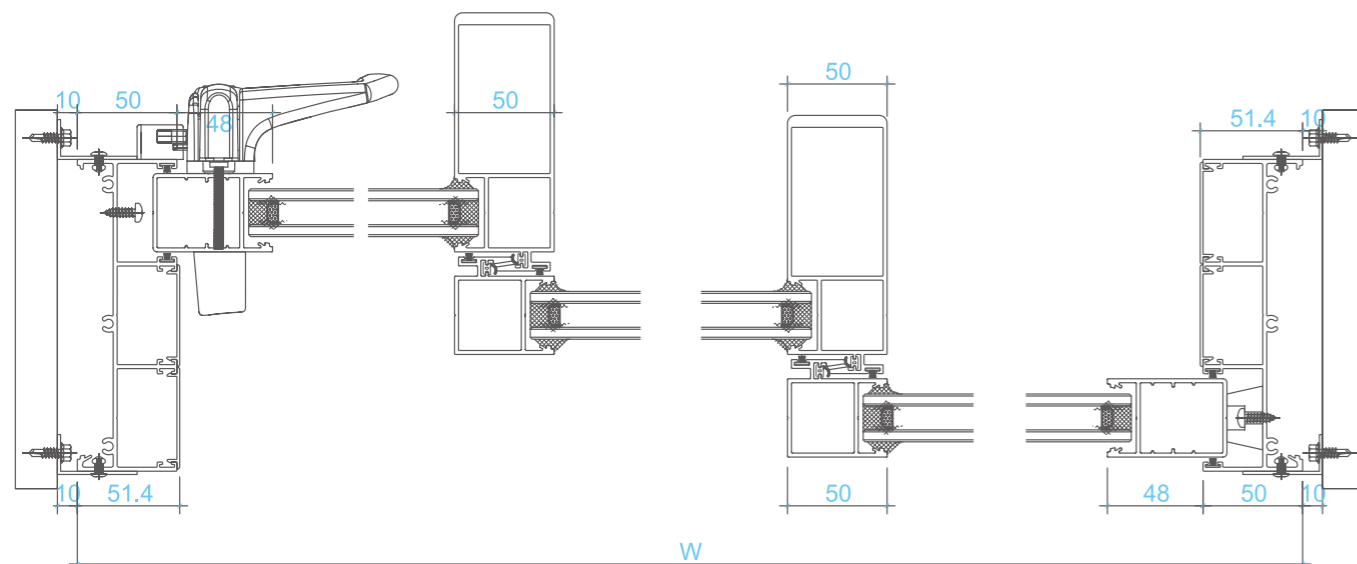
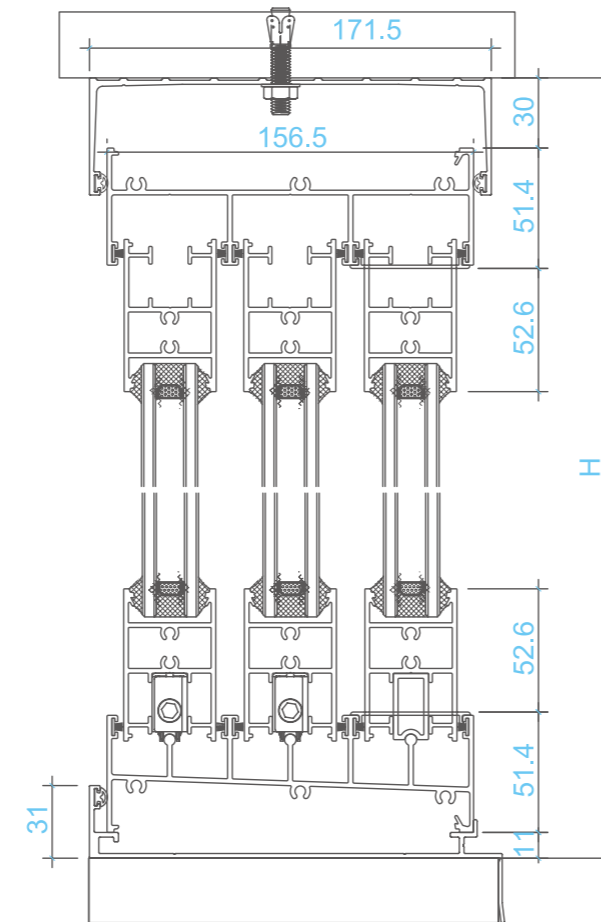
Extrusion Profiles :6063-T5 with 2.0mm Thickness

Powder Coating : AKZO-NOBLE Interpon Powder with 10 Years Warranty

Flynet : Fiberglass and Stainless Steel Security Mesh Available

Fixing Method:Sub sill/head /Fin fix /Timber reveal

Hardware : China Brand & Australia Doric Available



DS3130 Sliding Door Lock

- ① Brand:Doric
- ② Origin Country:Australia
- ③ Model:DS3130
- ④ Color:Black, Silver

Feature:

The DS3130 Timbarra Twiin Sliding Patio Door Lock was the first non-handed twin actuator system to be offered in the Australian market.

DS2400 Sliding Door Lock

- ① Brand:Doric
- ② Origin Country:Australia
- ③ Model:DS2400
- ④ Color:Black, Silver

Feature:

The DS2400 handle range has the flexibility for various configurations and handle shapes.The patio door furniture features simple snib operation as well as a clean and contemporary aesthetic, ideal for apartment and residential application.





RS100 SWING DOOR

The hinged opening door is traditionally the first option that most people consider when looking for a new or a replacement door. So much so that the hinge is not even referenced, as the majority of entrance and internal doors are hinged. Hinged doors can be left or right opening depending on your preference and space.



Standard: AS2047

Design SLS/ULS:600Pa/1400Pa	Design Water Resistance:200pa
WERS Data: Uw Range:3.7 - 6.2	SHGC Range:0.32 - 0.57
Sound Insulation:<36DB	

TECHNICAL SPECIFICATIONS

Available size:Max Height:2700mm,Max Window Panel width: 1100mm

Maximum adaptive weight:150KG

Available glazing:Double Glazed: up to 26mm IGU

Frame dimension:Frame Depth:105mm;Bottom frame Height : 26mm

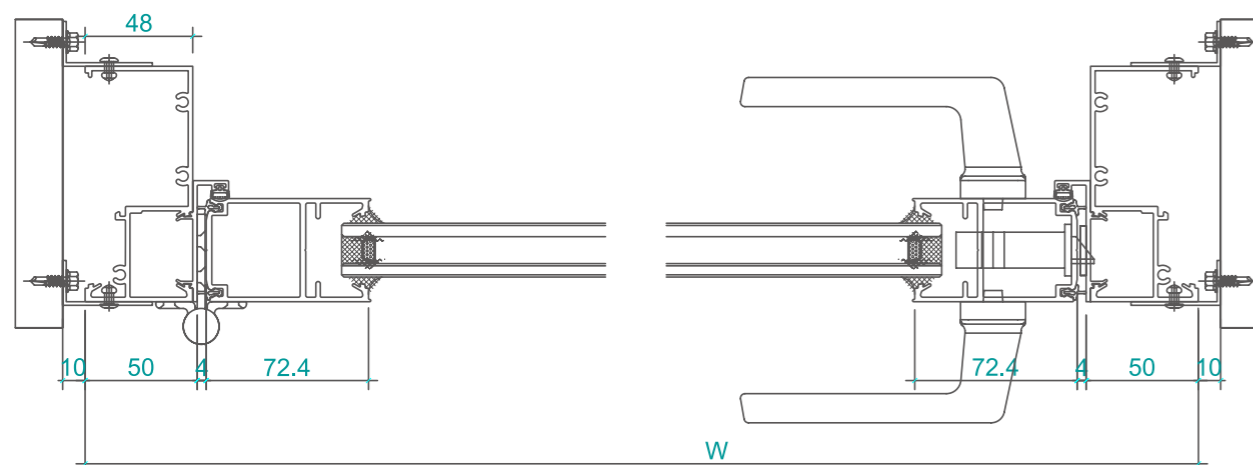
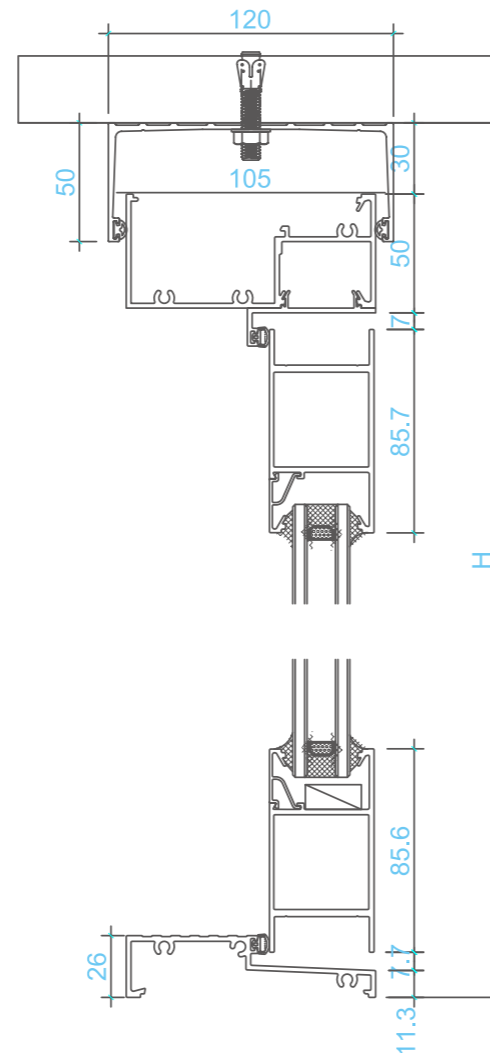
Extrusion Profiles :6063-T5 with 2.0mm Thickness

Powder Coating : AKZO-NOBLE Interpon Powder with 10 Years Warranty

Flynet : Fiberglass and Stainless Steel Security Mesh Available

Fixing Method:Sub sill/head /Fin fix /Timber reveal

Hardware : China Brand & Australia Doric Available



DS1400 Hinged Door Lock

- ① Brand:Doric
- ② Origin Country:Australia
- ③ Model:DS1400
- ④ Color:Black, Silver

Feature:
The DS1400 Series range is finished in Satin Black powdercoat, with the levers and escutcheon manufactured from cast aluminium. It is easy to install and suitable for hinged doors in single French & bi-fold door.

DN7300 Hinged Door Lock

- ① Brand:Doric
- ② Origin Country:Australia
- ③ Model:DN7300
- ④ Color:metallic

Feature:
The DN7300 Series is compatible for use with the Doric DN995 (23mm/30mm/38mm) Commercial narrow back-set mortice lock mechanism in a wide variety of functions that will suit all commercial locking requirements in Australia and New Zealand.





RS80 BIFOLDING DOOR

Aluminum bifolding doors are more than just stylish – they are manufactured to last and provide durable performance. Their minimalist design aesthetic create a seamless statement in a variety of spaces, while the folding functionality opens up the possibilities to perfectly complement alfresco style dining or entertaining areas.



Standard: AS2047

Design SLS/ULS:600Pa/3000Pa	Design Water Resistance:200pa
WERS Data: Uw Range:2.7 ~ 3.2	SHGC Range:0.36 - 0.52
Sound Insulation:<38DB	

TECHNICAL SPECIFICATIONS

Available size:Max Height:3600mm,Max Window Panel width: 900mm

Maximum adaptive weight:200KG

Available glazing:Double Glazed: up to 32mm IGU

Frame dimension:Frame Depth:87.5mm;Bottom frame Height : 59mm

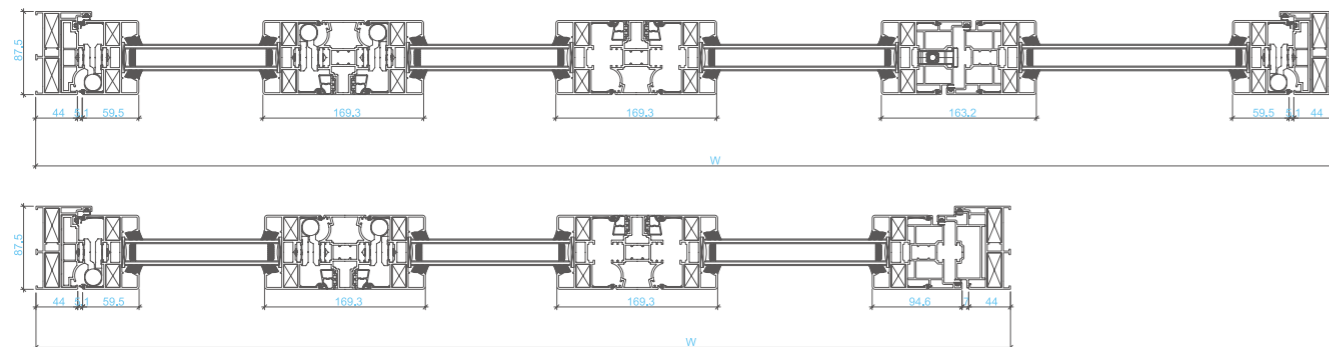
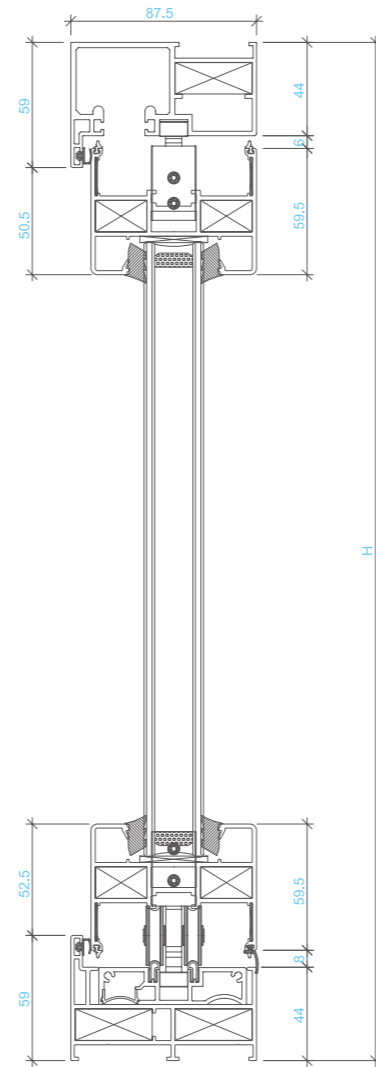
Extrusion Profiles :6063-T5 with 2.0mm Thickness

Powder Coating : AKZO-NOBLE Interpon Powder with 10 Years Warranty

Flynet : Fiberglass and Stainless Steel Security Mesh Available

Fixing Method:Sub sill/head /Fin fix /Timber reveal

Hardware : CHN- KSBG



Bifolding Door

① Brand: China Brand KSBG

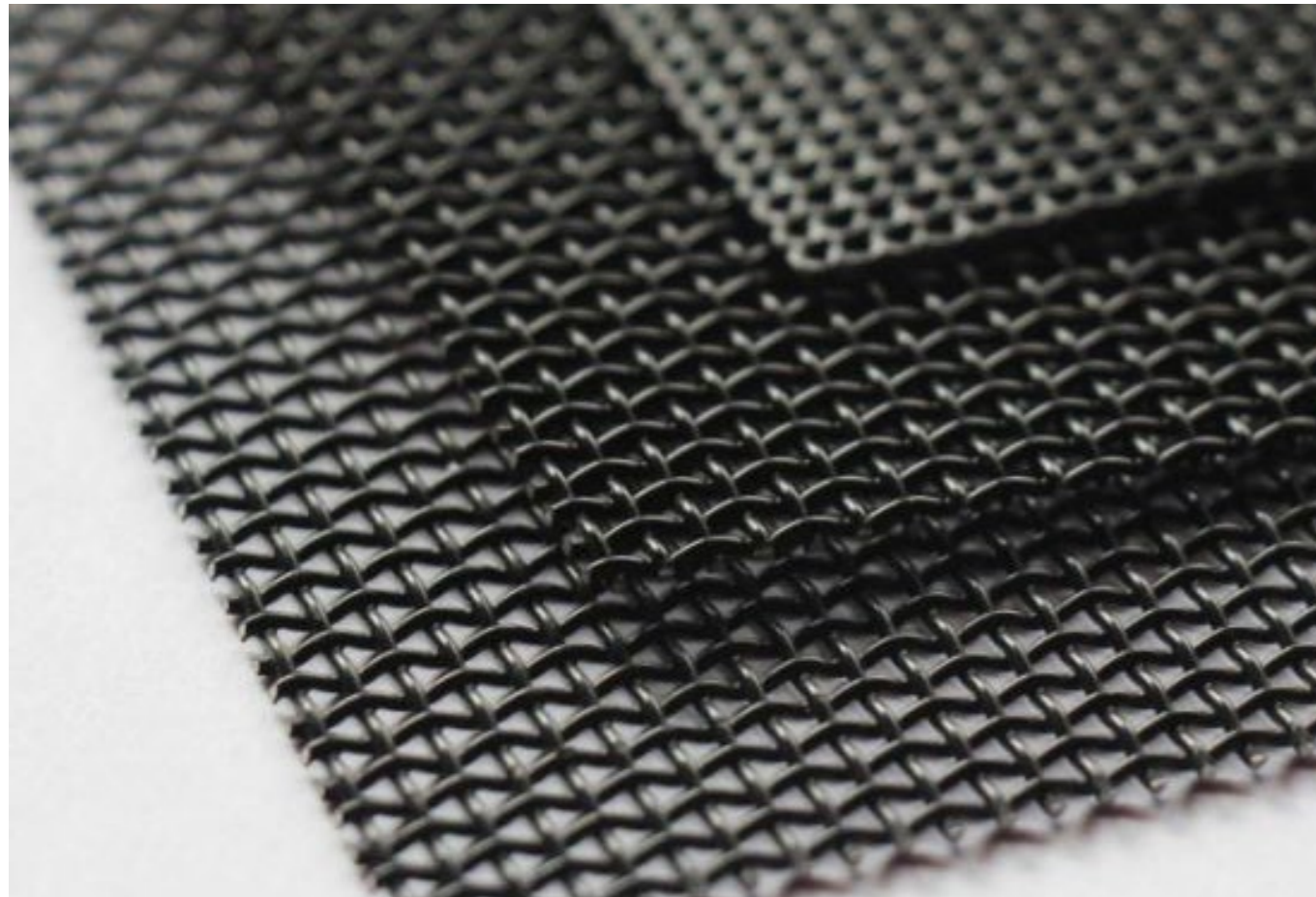
② Origin Country: China

③ Model: KSBG-80

④ Color: Silver, Black

Feature:

automatic lock function Hardware hidden design satisfy any combination of folds Corner design with wide vision



0811 Security Screen

- ① Material: SUS304 ② Finishing: Powder coating ③ Thickness: 0.8mm
- ④ Weave: 11/cm² ⑤ Color: Black, Grey

0514 Security Screen

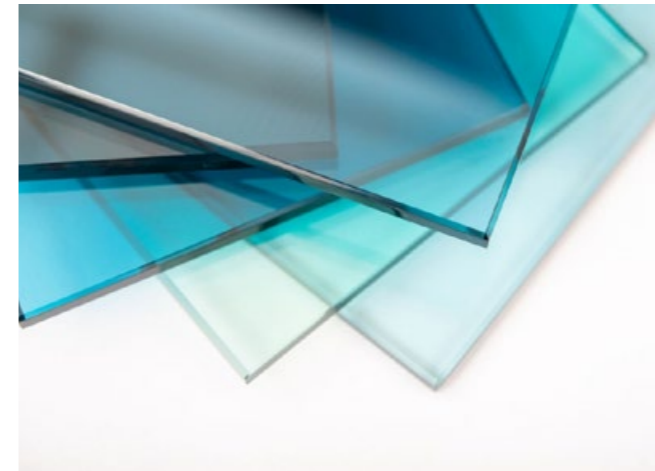
- ① Material: SUS304 ② Finishing: Powder coating ③ Thickness: 0.5mm
- ④ Weave: 11/cm² ⑤ Color: Black, Grey

0218 Security Screen

- ① Material: SUS304 ② Finishing: Powder coating ③ Thickness: 0.185mm
- ④ Weave: 18/cm² ⑤ Color: Black Only.

1511 Pet screen

- ① Material: 30% fabric, 70%PVC coating ② Finishing: Powder coating
- ④ Mesh: 360g/m² ⑤ Weave: 15*11 /inch ⑥ Color: Black



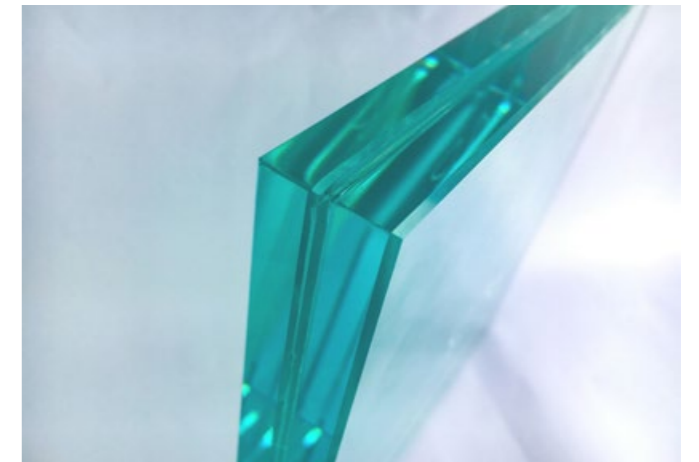
Single Glass

- ① Thickness: 5mm/6mm/8mm/10mm/12mm
 - ② Treatment: tempered, Heat soaked thermally tempered
 - ③ Color: Ultra Clear, Clear, Obscure, tint
 - ④ Finishing: Reflective, Spendral
- Feature: Safe, Strength wind pressure, high impact resistance

Laminated Glass

- ① Thickness: 8.76mm/10.76mm/11.14mm/12.76mm/13.14mm
- ② Treatment: tempered, Heat soaked thermally tempered
- ③ vinyl interlayer : PVB
- ④ Interlayer thickness: 0.38mm/0.76mm/1.14mm
- ⑤ Color: Ultra Clear, Clear, Obscure, tint
- ⑥ Finishing: Reflective, Spendral

Feature: Safe, Strength wind pressure, high impact resistance, reduce noise.



Double Glass

- ① Thickness: 6mm+12A+6mm/6mm+12A+8.76mm /6mm+9A+10.76mm
- ② Glass spacer color: Silver/black
- ③ Gas: Air/Argon
- ④ Treatment: tempered, Heat soaked thermally tempered
- ⑤ Color: Ultra Clear, Clear, Obscure, tint
- ⑥ Finishing: Reflective, Spendral

Feature: Safe, Strength wind pressure, high impact resistance, reduce noise, energy efficiency

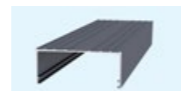


Sub Head, Sub Sill, Angle

Features: High water leakage resistance, simple installation (saving labor), safety, fast delivery

Wall structure suitable:
 Concret structure
 Light Guage and Hebel Stucture
 Double Brick Structure
 Light Guage and Brick Stucture

Application: Commercial Buildings, Apartment, Townhouse, Dwellings



Sub Head



Sub Sill



Angle



40mm Fin

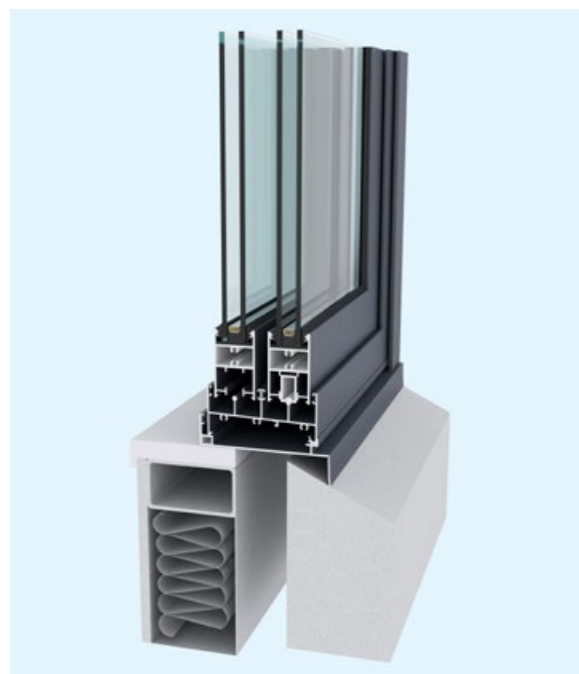
Fetures: high water leakage resistance, simple and fast installation and safety;

Wall structure suitable:
 Timber Stud and 100/150mm Hebel Stucture
 Brick Veneer Structure
 Light Guage and Brick Stucture

Application: Townhouse,Dwellings



40mm Fin



Sub Head, Sub Sill, Sub Frame

Features: High water leakage resistance, simple installation (saving labor), safety, fast delivery

Wall structure suitable:
 Concret structure
 Light Guage and Hebel Stucture
 Double Brick Structure
 Light Guage and Brick Stucture

Application: Commercial Buildings, Apartment, Townhouse, Dwellings



Sub Head



Sub Sill



Sub JOMB



Timber reveal+Dampcause

Fetures: high water leakage resistance, simple and fast installation and safety;

Wall structure suitable:
 Timber Stud and 100/150mm Hebel Stucture
 Brick Veneer Structure
 Light Guage and Brick Stucture

Application: Townhouse,Dwellings



Timber reveal

Standard Color

Standard Color: Black/Monument/Grey/White



Smooth Black-C31122S 2 GN Smooth Monument-GP22PC Light Grey-C30520 S 2 GP Smooth White-C31878 S 2 GB

Custom color



- ① Brand: Interpon
- ② Customized color: Color bond or RAL swatches
- ③ 10 years warranty Higher resistance products available either.

Features Safe, clean, economical and eco-friendly excellent performance
Meet the wide range of global coatings standards.



We are proud of having built a long term cooperation with the partners below. We are really appreciative of them giving us professional services so that we can make quality products and provide professional service for our clients. Better products will be created through the efforts from our partners, the clients and RS team.

HOW LONG IS THE PRODUCT DELIVERY TIME?

The time starts to count from the receiving of the advance payment after the confirmation of the drawings. The processing time for the products in the first containers is 4 to 5 weeks. The shipping time to the destination port is 2 to 3 weeks. The time from producing to the delivery to the destination port is 7-8 weeks.

HOW ARE THE PRODUCTS PACKED?

Both sides of the profile and glass surface are filmed, and the packaging of the finished product is made of pearl foam cotton. Place each packaged product in a 40*40*2.0 iron pallet welded by iron pipes, and then use packing tape to secure the doors and windows to the pallet firmly, and seal the pallet with clear wrapping films.

Is the entire window shipped in one time? Is the hardware installed on the product?

Usually, all independent windows or single-leaf hinged doors that are smaller than the height of the container door are shipped in one package. Combination windows can be shipped in one package or divided into multiple packages, based on their sizes. All sliding doors, Bifold doors, and double-opening side-hinged doors are individually packaged and shipped after the door frames are disassembled. (The door frames need to be assembled at the construction site or local warehouse. When assembling, pay attention to the connection between the rail and mullion, and glue it for waterproofing). The door leaf is individually packaged and placed on a pallet for delivery.

Under normal circumstances, the hardware of sliding windows, manual top-hung windows, and glass blinds are installed in the factory before shipping. The handles and locks of sliding doors, hinged doors, bifold doors, and casement windows are installed on the construction site, and the other hardware is installed in the factory before shipping.

WHAT DELIVERY METHODS ARE AVAILABLE?

EXW, FOB, CIF, DDU

WHAT IS THE PAYMENT METHOD?

The advance payment is 40% of the total amount on the contract, and the balance should be paid before shipment.

DO YOU PROVIDE A PRODUCT WARRANTY? HOW LONG IS THE WARRANTY?

The company provides a product warranty. The company's standard of the warranty period is 10 years for profile surface, 7 years for hardware, 3 years for screen windows and screen doors, 2 years for glass (smashed or broken glass is not covered). Negotiable when customers have other or special requirements.

CAN PROVIDE DOOR AND WINDOW INSTALLATION?

At the moment, our company can provide installation services in Sydney, Melbourne, Brisbane, Gold Coast, and Adelaide.

ARE THERE ANY SUCCESSFUL PROJECTS IN LOCAL?

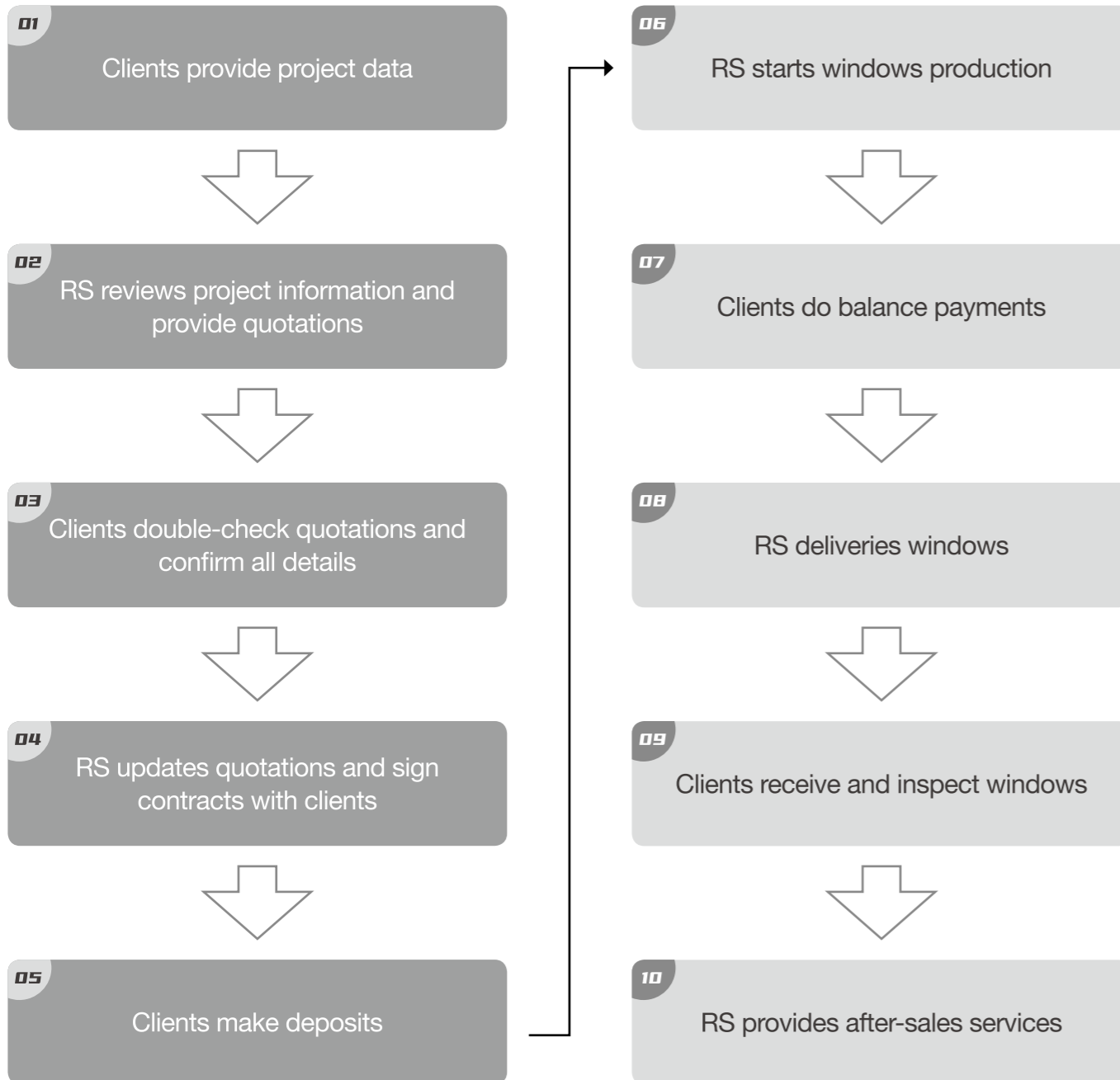
Domestic factories can provide customers with free storage for 30 days.

ARE THERE ANY SUCCESSFUL PROJECTS IN LOCAL?

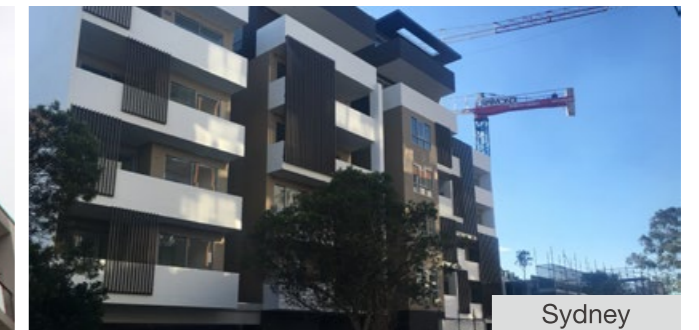
Our company has successful projects in Sydney, Melbourne, Adelaide, Brisbane, and Gold Coast. If you want to know about our company, we can provide a contact person, number, and project addresses for customers to inspect.

IF THERE ARE PRODUCTS THAT ARE FORGOTTEN TO ORDER, HOW TO QUICKLY SOLVE THE PROBLEM ON-SITE TO KEEP UP WITH THE TIMELINE?

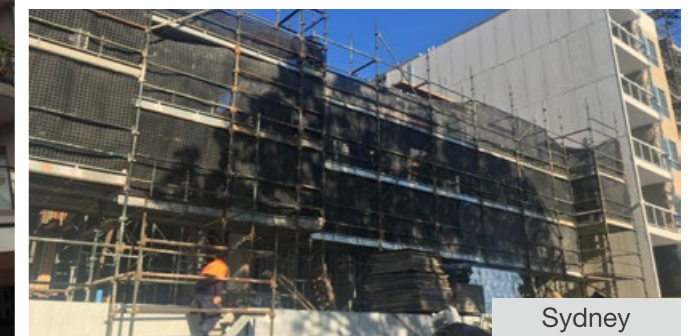
The external frame of the product will be shipped by air, and the glass or leaf will be shipped by sea.



Sydney



Sydney



Sydney



Melbourne



Adelaide



Brisbane



Gold coast