



**MADE TO MEASURE  
BY SPOTLIGHT**

# A complete guide to Made to Measure window furnishings

Australia's largest range of Made to Measure  
window furnishings.

Curtains, sheers, tracks, shutters, indoor  
blinds, outdoor blinds and motorisation.

FOR YOUR FREE IN-HOME MEASURE & QUOTE  
CALL 1300 662 742



## Our heritage

Spotlight is a family owned and operated Australian business with stores throughout Australia, New Zealand and Asia. We employ more than 8,000 team members who are dedicated to providing the best quality, service, price and expertise in fabrics, craft and homewares to our millions of customers each year.

Spotlight's founders learned about fabrics by working at their family stall at Melbourne's Queen Victoria Market in the early 1970's. Their strong drive and business acumen led them to opening their first Spotlight store in Malvern in September of 1973, and have grown from strength to strength ever since. As Spotlight's presence has grown, so has our range of products. Spotlight has over 140 stores across Australia, New Zealand and Asia, with hundreds of brands and thousands of products to choose from.

Spotlight has come a long way from the family fabric stall at the Queen Victoria Market, and we have not lost the personal touch, affordable prices and attention to quality which makes us one of the most beloved stores in Australia, New Zealand and Asia.

## Why choose Made to Measure?

**50 YEARS' EXPERIENCE**

**AUSTRALIA'S BIGGEST RANGE**

**120 CONSULTANTS ACROSS AUSTRALIA AND NEW ZEALAND**

## We've got your windows covered

**BOOK A FREE IN-HOME MEASURE AND QUOTE WITH ONE OF OUR EXPERIENCED CONSULTANTS**

**VISIT IN-STORE, BRING YOUR OWN MEASUREMENTS**

**BOOK A VIRTUAL CONSULTATION ONLINE**

**SHOP DIY SHUTTERS OR EXPRESS CURTAINS ONLINE**



For your free in-home measure & quote call 1300 662 742 or visit [spotlightstores.com](https://www.spotlightstores.com)

# Spotlight VIP Members

# 30-40% OFF

all full priced Made to Measure  
Curtains, Blinds and Shutters.

## PLUS

ATTEND EXCLUSIVE EVENTS

RECEIVE EARLY SALES ALERTS AND EMAILS

EXCLUSIVE DISCOUNTS AND VOUCHERS



If you're not a member;  
join today. Its FREE!



# Our products



ROLLER BLIND



CURTAIN WITH SHEER



SHUTTERS



SHEER CURTAIN

## We can custom make

- Curtains & Sheers
- Curtain Tracks and Rods
- Tie Backs
- Pelmet
- Roller Blinds
- Roman Blinds
- Panel Blinds
- Vertical Blinds
- Veri Shades®
- Cellular Blinds
- Faux Wood Venetians
- Aluminium Venetians
- Plantation Shutters
- Outdoor Blinds and Awnings

# Curtains & Sheers

Luxurious curtains and curtain sheers create a sense of warmth and stylish elegance in your home and provide excellent light control, privacy and insulation. Choose from a range of high-quality, custom-made curtain design options including a variety of headings types to compliment your style.



## Blockout Curtains

Significantly increase the winter warmth and reduce summer heat by adorning your windows with blockout curtains while also protecting your furnishings from the sun.

## Sheers

Sheers or voiles can be stylishly coordinated with your curtains or layered over blinds to soften the window furnishing.

## Curtain Tracks and Rods

Curtain tracks and rods are one of the most important elements to successfully transform your window and complete the look of your curtain, sheer or valance.

- Choose from standard tracks, which provide smooth opening and closing without visibility behind the curtain. Or decorative tracks which add style and flair to the window
- Also available in decorative curtain rods for hand drawn operation and S Fold tracks which offers a streamlined appearance to the curtain

Multiple track options are available to suit our vast curtain styles.

# Roller Blinds

Our made to measure roller blinds, sold individually or as a dual option, offer a perfect fit and professional finish to create a sophisticated and tasteful window covering in your home. We offer an extensive range of fabrics; from blockouts to light filtering, screen fabrics and sheer compositions. Select a plain, bottom rail (plain or fabric) or scalloped finish to complement your style of home.

Choose from child-safe chain control operation, spring-loaded operation or easy-to-use motorised operation. Our multi-link brackets give you the ability to link and control up to three blinds on one window. Or choose our independent brackets that enable you to link two blinds side by side but controlled individually. Our coordinated cassettes enable you to have a fashionable, sleek look while concealing all the hardware. The cassettes increase insulation and light control, making them an ideal add-on.

Double roller blinds also called dual rollers or day/night blinds, are two blinds providing a fully functional and practical window covering on one bracket. Combine a blackout roller for night time privacy and a screen or light filtering roller for daylight privacy and clear view out of your windows.

## Blockout Roller Blinds

- Offer the perfect window covering solution to light and heat control
- Provide privacy in the home, both day & night
- Many fabrics available from plain, patterned and textured to complement your home



## Screen/Light Filtering/Sheer Roller Blinds

- A variety of screen, light filtering and sheer fabrics available
- Assist with year round privacy and light control in the home whilst enabling you to enjoy the views from your window
- Screen fabrics provide UV protection for your flooring and furnishings

## Double Roller Blinds

- Australian Made
- Fashionable and affordable
- Simple and quiet operation
- Daytime and night time privacy

# Roman Blinds

Add an elegant touch to your home and decor with a roman blind. These blinds provide a clean, modern, minimalistic window treatment; at the same time providing a functional blind to suit your individual needs. They are manufactured in horizontal folds that lift and stack behind each other providing a soft, decorative valance effect when lifted. They provide full window coverage when lowered. We have two different types of roman blinds available: Decorative Soft Romans or One Touch Romans.



## Decorative Soft Roman Blinds

- Choose from a huge selection of soft furnishing fabrics to coordinate with your curtains or pelmets
- Blockout lining to ensure maximum thermal properties and UV protection
- Choose from a front batten or back batten finish

## One Touch Roman Blinds

- Choose from a range of fabrics to coordinate with your indoor blinds; textured, light filtering and blockout options
- Easy to operate with a quick pull of the chain to lower the blind, and by gently pulling to lift, the blind will lock in place



## Panel Blinds

Panel blinds offer a sleek, contemporary window solution especially suitable for those larger windows, sliding doors or internally as a room divider. Panel blinds consist of a track and fabric panels, of various numbers, that traverse the full width of the track to offer complete privacy through to controlled light and full visibility.

- Panel track available in multiple colours
- A range of 3, 4, 5 or 6 channels to house the fabric panels depending on the size of your window and the number of panels required
- Choose from cord or wand operation



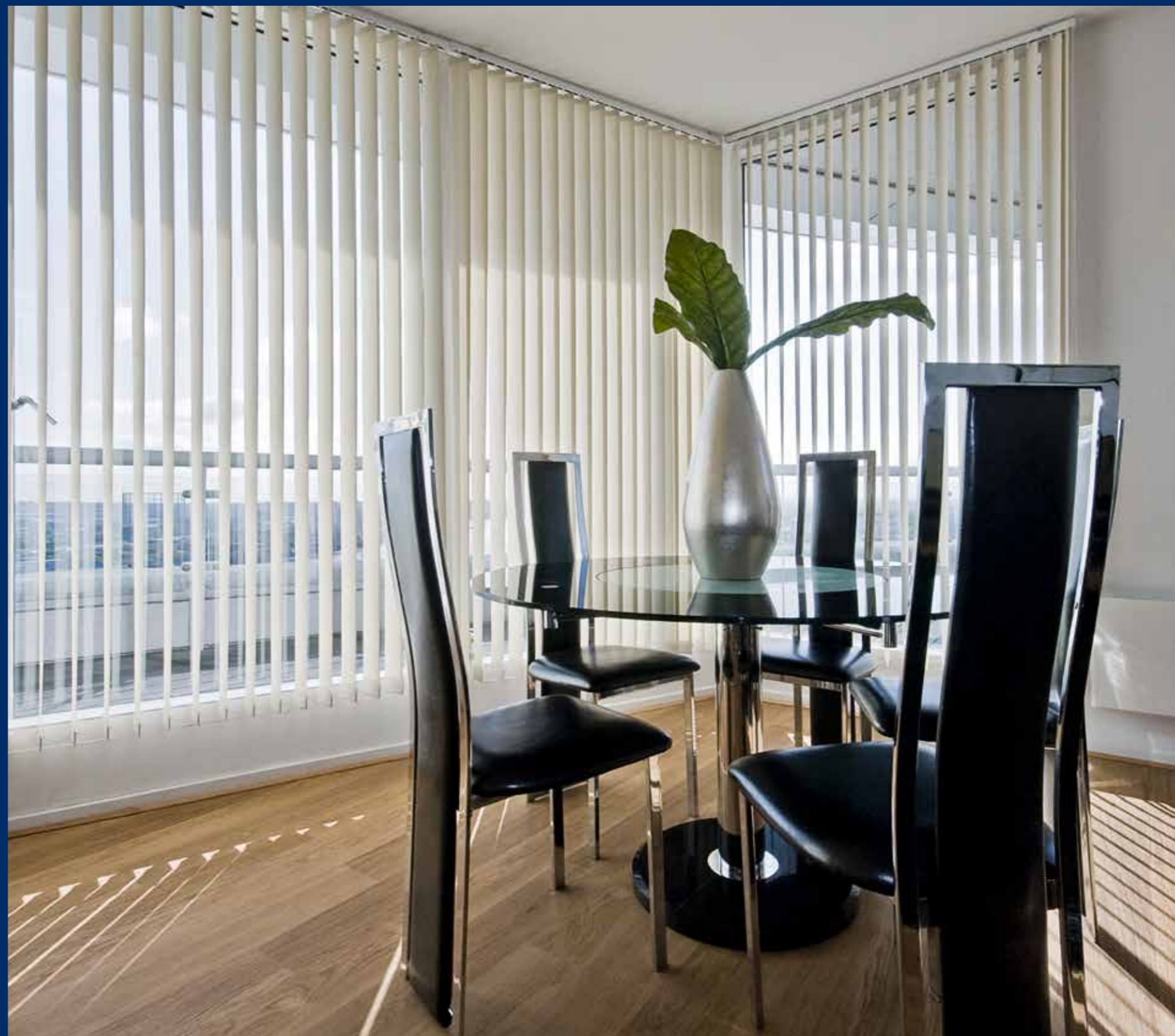
# Vertical Blinds

Vertical blinds offer clean, sophisticated linear styling to your windows. They are an excellent choice if you have glass sliding doors or large windows. Their simple controls allow you to decide on the amount of light you let into your home and they are ideal for privacy too. Vertical blinds also provide effective insulation against heat and cold.

Vertical blinds come with a versatile tracking solution in either cord or wand operation. Choose to draw the blinds to the centre of the window, split to the outside or stack either side, depending on the suitability of the window.



- Vertical blinds in various blade widths including 89mm, 100mm and 127mm available.
- Different blade finishes include chain linked, chainless, or sewn in weights.
- Variety of track colours to suit your decor.





# Veri Shades®

Veri Shades® are a fashionable window covering for your home or office combining the soft look and diffused light of sheer curtains with the functionality of a blind. Veri Shades® offer the perfect solution for large windows, sliding doors or a dramatic wall to wall feature. They are a unique design combining a curtain-style track with soft fabric folds that hang freely to produce a floating effect. They have a fresh, lightweight appearance that creates an appealing sense of space in your rooms.

The fabrics are 100% polyester with an ultraviolet factor of 50+ making them resistant to fading and ideal for protecting your furnishings from our harsh sun.

- Suitable for large windows & sliding doors
- Australian Made
- On trend selection of fabrics and colours available
- Veri Shades® are fluid & silent even in breezy conditions
- No weight or chains

# Cellular Blinds

The unique hexagonal design of our cellular blinds is the reason they are one of the highest-rated insulating and energy efficient products on the market. Air is trapped inside the individual cells ensuring your home is kept cooler in summer and warmer in winter, making them an ideal window treatment all year round, whatever your climate. Cellular blinds, sometimes referred to as honeycombs, also provide a snug fit inside your window recess; which reduces the conduction of heat while minimising light gaps and sun exposure.

Select from either hand or cord operated dual day night blinds, as well as blinds that can be operated from the top down or the bottom up, ensuring maximum privacy while still allowing natural light to filter into your room. Or for ultimate ease of operation, opt for motorisation.

Cellular Blinds are very compact when fully stacked, so perfect for bringing the outside indoors and maximising the view, while still enjoying the comfort inside your home.

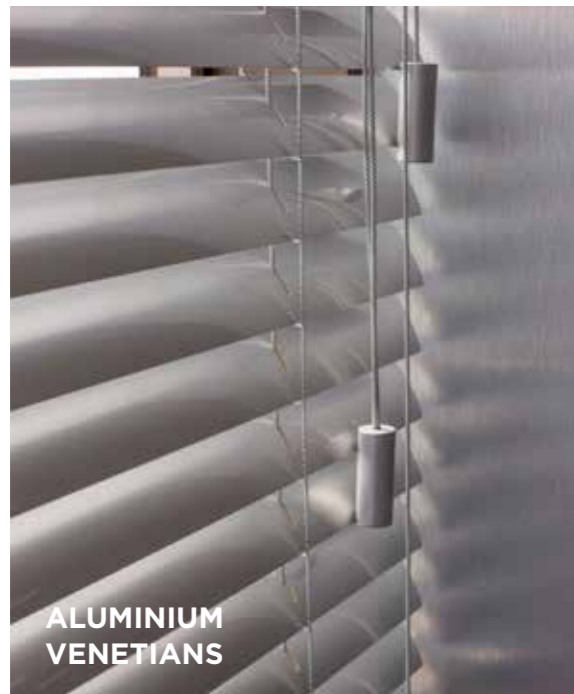
- Provides superior insulation properties
- Reduce your energy bills
- Wide range of fabrics and colours available in translucent, textured, plain & blackout
- Choose from corded or cordless operation
- Provide ultimate control of light and privacy
- Minimal stacking when open to maximise your view



# Venetian Blinds

Venetian blinds offer a functional and contemporary finish to any room; from kitchens right through to bathrooms, laundries, living rooms and bedrooms. The range includes chic and stylish timber-look venetians and slimline aluminium venetians in an extensive selection of fashionable colours.

By simply tilting the blades you have immediate control of the light and privacy required in the room.



## Faux Wood Venetians

- Our timber-look range comes in 50mm and 63mm blades, which captures the look of real timber, but with the added benefit of quality and durable performance
- Ideal for wet areas as they are mould resistant
- Available in privacy finish to control light filtering

## Aluminium Venetians

- Large range of fashionable colours
- Practical and suitable for narrow recessed windows
- Affordable solution

# Plantation Shutters

With their wider louvres and classic styling reminiscent of the grand homesteads of America's south, plantation shutters are a clean, elegant, solution for giving the windows of any home a stunning makeover; and their wow factor extends from the outside-in or inside-out perspective of the house.

While the look of plantation shutters is instantly appealing regardless of modern or traditional tastes, it is their versatility and functionality that has made them one of the most popular types of window shutters available today. These internal shutters can even be used for shaped windows.



PVC SHUTTERS

## PVC Shutters

- Water, moisture and UV repellent
- Ideal for bathrooms, laundries, kitchens and tropical climates
- Tilting blades for light control and privacy control

## Timber Shutters

- Bring warmth, style and opulence to any room
- Suitable for different shaped windows including round and triangular shapes
- Tilting blades for light control and privacy control



TIMBER SHUTTERS

# Outdoor Blinds and Awnings

Outdoor blinds are a perfect solution for protecting against the sun's UV rays or transforming outdoor entertainment areas into year-round living spaces. We offer a wide range of styles to suit your home. Choose from blockout fabrics or the sunscreen range, which not only gives you great protection, but also allows you to maintain your view. With stylish fabrics available in many modern plain or striped colours - and a choice of materials that includes PVC screen mesh, acrylic and canvas - the possibilities are endless.



AUTO AWNINGS



STRAIGHT  
DROP AWNING

- Variety of options available for most outdoor blind needs
- Can block up to 95% of UV entering your room
- Weather boxes available to provide protection for the cloth and hide the hardware
- Motorisation options available



# Motorisation

Motorisation is the ultimate choice today and it's more convenient and easier to use than ever. Choose from battery to wired technology and from a selection of remotes. Our automation range can operate your indoor and outdoor window coverings as well as your curtain tracks. Just ask us how.

The ideal solution for those difficult to reach windows or combine multiple products on the one remote for ultimate efficiency of operation.

- Combine multiple blinds on the same remote
- For outdoor blinds, wind and sun sensors and motors are available for ultimate convenience
- No cords means motorisation is perfect for child and pet safety

# Safety Tips



Loose blind and curtain cords or chains can be dangerous. Take these simple steps to ensure that they remain out of reach of children, particularly from children under six.

## Check your blind and curtain cords

Check for loose or looped cords that your child can reach from the floor or by climbing on furniture. Immediately tie cords out of reach and move any furniture children might climb on to reach them. Do this anywhere you are staying, including on holiday.

## Secure your cords out of reach

Buy cleats or tensioning devices for securing cords from a hardware store or curtain and blind shop. Use screws to fix each cleat or tensioning device in a place that is out of reach of children. Never secure with materials that may fail when a load is placed on them, such as double-sided tape or glue. If you cannot fix your unsafe cords and chains out of reach yourself, get a reliable tradesperson to do it for you. If you are renting your home, seek help from your landlord or agent.

## Choose safe blinds and curtains

### Buy new curtains and blinds which:

- Comply with the national mandatory standard
- Have warning labels to remind you of dangers to children
- Provide a way to secure cords and chains so there are no loops or strands that children can reach or;
- Operate without exposed cords/chains

## Keep children away from all cords/chains

Move anything a young child can sit in, stand or climb on (like cots, highchairs, beds, sofas, tables, chairs and bookshelves) away from cords and chains—even those tied around a cleat, as your child may be able to untie them. Do not let children play near cords and chains. Never leave children alone in a room with cords and chains they can reach.

Use motorisation for the ultimate choice in child and pet safety.



# Classic

- A refined, stylish aesthetic featuring a few key statement pieces
- Layered styling features a mixture of textured weaves, velvets, classic prints and embroideries
- Muted tonal colours provide harmony and a welcoming sense of calm





# Traditional



| Design Inspiration

- Feel cosy, warm and comfortable
- Key patterns include jacquards, textures, florals and damask
- Coordinate warm rich tones of reds, greens and blues with base notes of whites and creams
- Heavily accessorised with coordinates, cushions, pelmets and valances

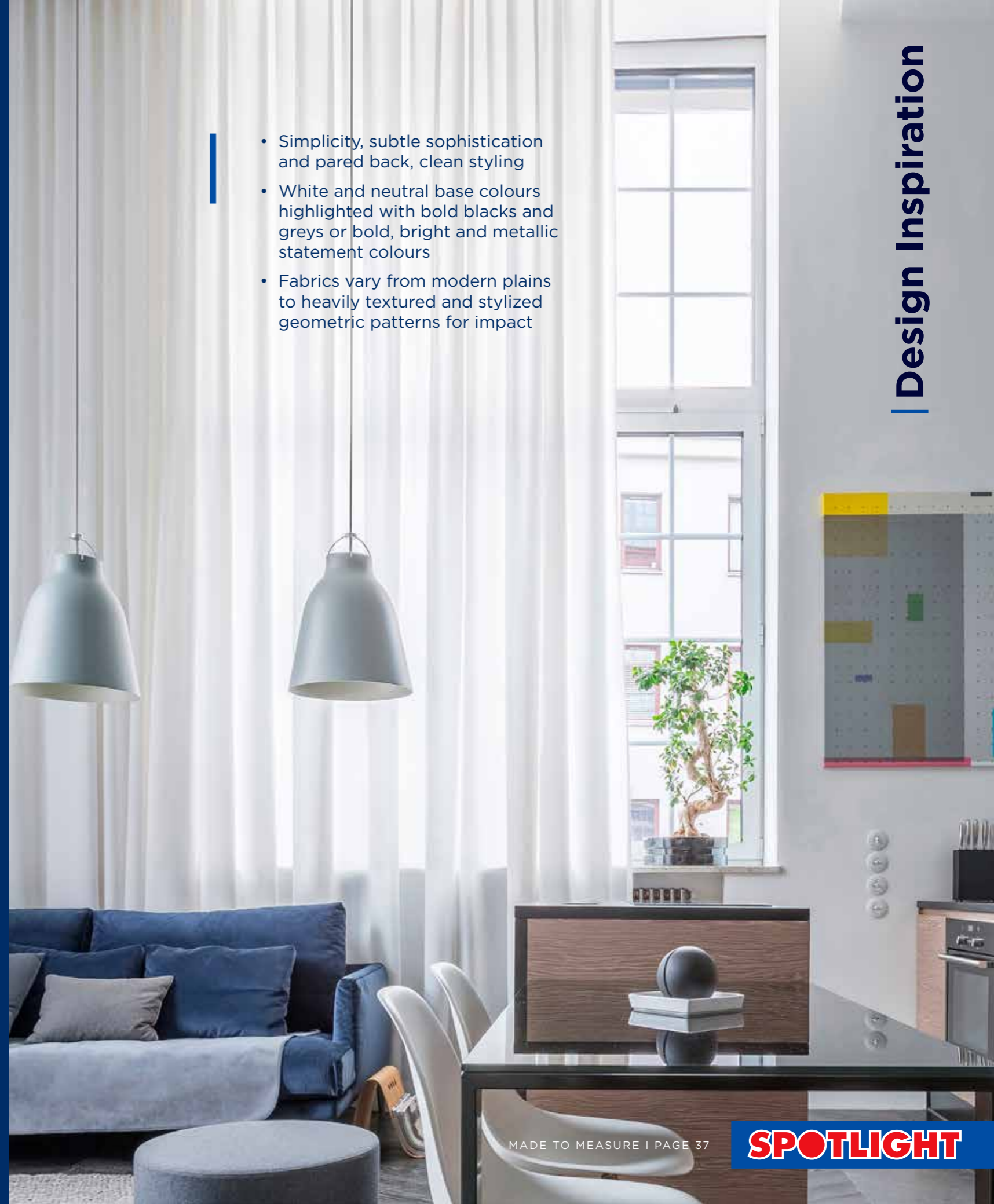


- An ever changing décor based on current fashion trends
- Features an eclectic mix of colours, patterns and prints blended together for maximum impact
- Accessories are abundant to bring personality into the room

# Contemporary



- Simplicity, subtle sophistication and pared back, clean styling
- White and neutral base colours highlighted with bold blacks and greys or bold, bright and metallic statement colours
- Fabrics vary from modern plains to heavily textured and stylized geometric patterns for impact



# | Coastal Living

- Feel comfortable, relaxed and calm, bringing the outside indoors
- Accessorised with coastal & nautical themes
- Key patterns include stripes, checks, linens and coastal prints
- Fresh crisp whites, blues and greens inspired by the ocean



# Made to Measure DIY

If you're happy to measure your own windows and purchase made to measure products in-store, **you will receive an additional 5% discount.**

## Express curtains DIY

For added convenience you can order some of our popular blackout and sheer fabrics online through the Spotlight website. Curtains or sheers are available in pinch or eyelet heading styles.



Visit for more information on express curtains

## Shutters online DIY

We also offer a DIY online solution for shutters with a simple process for ordering, measuring guidelines, samples and framing delivered to you and finished shutters delivered to your door.



Visit for more information on shutters online

## Hassle-free in-home measure and quote

Sometimes you just want to leave the measurements to the experts and we're here to help with that too. Our expert consultants can visit your home to measure your windows and offer expert advice on installing the perfect made to measure window furnishings for your home. We also offer virtual appointments if preferred or for those located outside our in-home service area.

Call our friendly team on **1300 662 742** to book your free in-home consultation today.



# DIY

## How to measure up for window furnishings

# Getting started

When measuring the width and drop (length) of a window, it's important to take a number of measurements at different points because windows are not always absolutely square – especially older windows and floors can be uneven – therefore the width and drop can vary. Never assume that all windows are the same.

Measure all windows individually at points across the window and use the smallest measurement. Measure twice to be sure and have someone check the measurements.

## What you'll need

Whether you're measuring for rods, tracks, curtains or blinds, remember to measure in metric units (mm).

You will need the following equipment:

### A metal measuring tape

– never use fabric as it can stretch and give you an inaccurate reading

### A pencil

to fill out the appropriate measurements on the BYO Measurements form on page 45 or 46

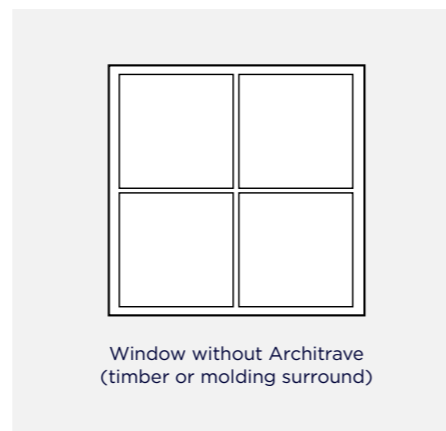
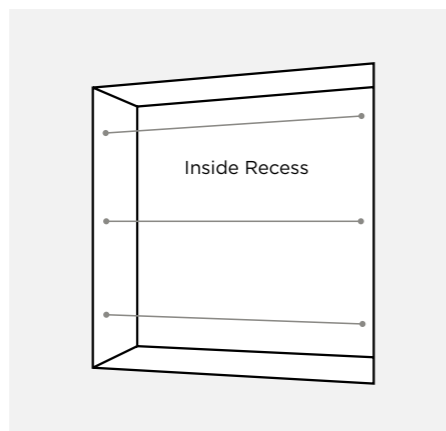
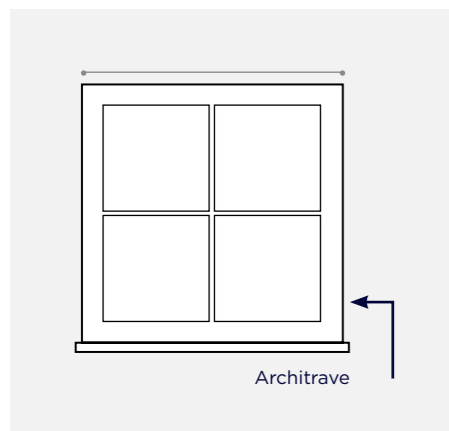
## BYO Measurements

You can measure your own windows for curtains and indoor blinds and bring the measurements in store to place an order. Our easy to use order forms are available to download online or see page 45 or 46.

Fit rods and tracks for curtains before you measure up

## Understanding your window

To understand how to measure, you need to know a little about your windows and decide where you would like to place your window furnishings.



Enjoy an extra 5% discount when you bring your window measurements instore.

\*Available on Curtains and Indoor Blinds. Outdoor Blinds and Shutters not included.

## How to measure up for curtains

Start by looking at your window to decide where you want your curtains to be positioned; recess or face fix. Recess will contain the curtains within the frame while face fix will ensure your curtains cover the frame. The aesthetic you desire and light control are key considerations in making this decision.

### TRACKS & RODS

The best way to get your window looking just right is to install your tracks or rods before you measure up for your curtains.

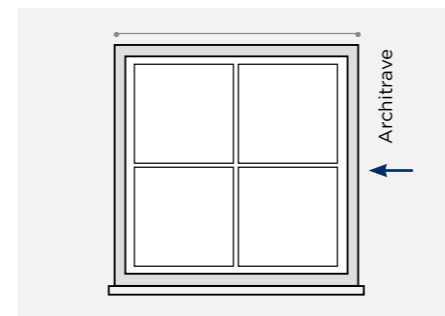
Choose the type of track or rod that will suit your decor.

A track is a standard hand or cord operating option available in a wide range of colours.

A rod is a decorative finish to a window which can be dressed up with different finials and are available in a number styles, colours and drawing options.

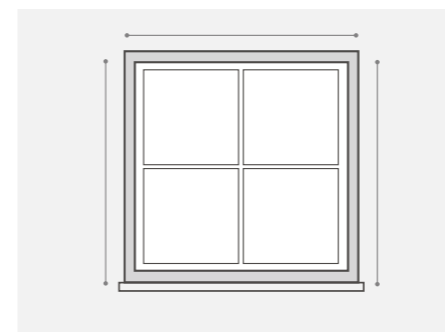
### TRACKS - FACE FIX

Measure the width from the architrave edge on the left to architrave edge on the right.



### WHEN TO ADD EXTRA TO THE MEASUREMENT

To maximise your view, add an additional 150-300mm to either side, ensuring that there is secure fixing. This will make space for your curtains to be drawn back. Add this to the architrave measurement to determine the total track width. To find out what best suits your needs talk to our Furnishings Team when you bring your measurements to the store.



Deduct extra from the measurement: For the curtains to sit inside the recess, deduct 10mm from the width of the track for the curtains to fit properly.

### RODS - FACE FIX ABOVE WINDOW

Measure the width across the top of the window from left to right. Remember the rods will have finials (the decorative ends attached to your rod) so there needs to be enough space for them. Rods are placed a minimum of 100mm above the window to minimise light and create a secure fixing for the rod.

### WHEN TO ADD EXTRA TO THE MEASUREMENT

To maximize your view add an additional 150-300mm to either side. This will make space for your curtains to be drawn back; or where the window has no architrave add an additional 150-200mm to either side to ensure the window is fully covered. Add this to the window measurement to determine the total track width.

### NOW YOU'RE READY TO MEASURE UP FOR YOUR CURTAINS

When you've installed your rods or tracks, you're ready to measure up for your curtains.

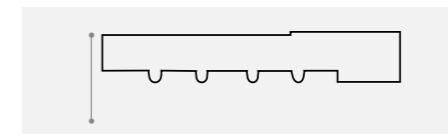
Width: Measure the total width of your track or rod (excluding the finials).

Drop: Think about what heading type and how long you want your curtains.

Measurements will vary for each heading type, so first choose the type you want, either pleated or eyelet. Remember eyelet headings only work on a rod. Eyelet drapes do not pull across the rod very well and are best suited as a stationary drape.

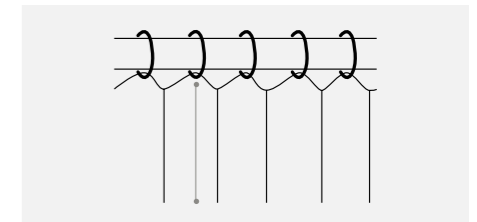
### FOR PLEATED CURTAINS ON A TRACK

Measure from the top of the track to the desired finished length.



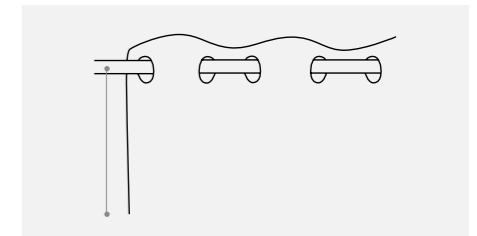
### FOR PLEATED CURTAINS ON A ROD

Measure from the eye of the curtain ring to the desired finished length.



### FOR EYELET CURTAINS ON A ROD

Measure from the top of the rod to the desired finished length.



### WHERE TO END MEASUREMENTS

For sill length curtains measure to the bottom of the sill. If you prefer your curtains to hang below the sill, we'd suggest allowing an extra 150mm in length. For floor length curtains measure to the floor.

With all heading types, the curtain hook will raise your curtain 10mm from the bottom measuring point. The industry standard is 10 – 30mm from the sill or floor. Talk to our friendly team about correct hooks.

Sheers installed under drapes should be a further 10mm shorter.

Bring your measurements in-store and choose from a wide range of fabrics to get curtains specially made for you.

# How to measure up for blinds

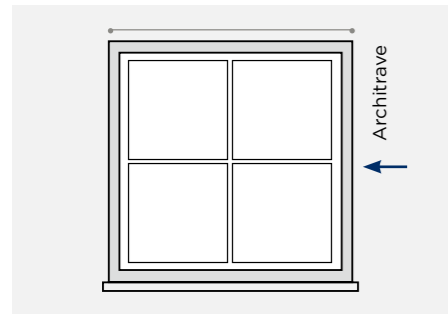
Start by looking at your window to decide where you want your blinds to go; recess or face fix.

To determine whether the blind is more suitable for a recess or face fit, look at the following:

- Depth of the recess – blinds will need to be between 30mm to 100mm for the headrail dependent on product
- Are there any obstructions such as window winders that will get in the way?
- Frame work of the window
- Window type – louver, hinged, sash, sliding doors etc

## BLINDS - FACE FIX WITH ARCHITRAVE

Measure the width at the top of the window from architrave to architrave. Measure the drop from the top of the architrave edge to the bottom of the sill or the floor. Measure on the left and right of the window to check if window is even.



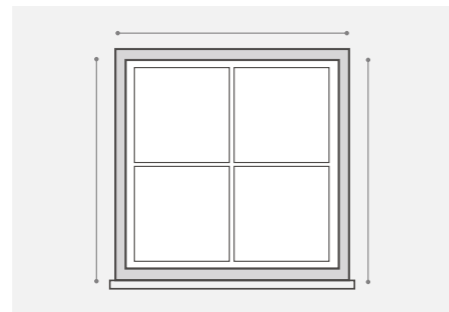
## BLINDS - FACE FIX WITHOUT ARCHITRAVE

Measure the width from window edge on left to window edge on right at the top of the window.

Extend the measurement 50-100mm on each side to minimize light seepage and ensure proper fixing of blind. Measure the drop from window edge at the top to the bottom of the window or floor. Measure on the left and right of the window to check if window is even.

## WHEN TO ADD EXTRA TO THE MEASUREMENT

You must add 100mm to the top of the measurement for secure fixing. Where the window is not to the floor, blinds should be extended for an additional 150mm below the sill to minimize light.



## BLINDS - RECESS FIT

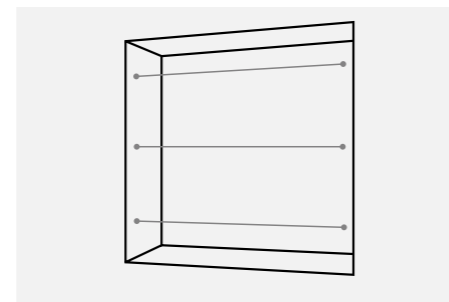
Measure the width at three points across to check the window is square and provide the smallest measurement. The manufacturer will allow for brackets from the measurements you supply.

Measure the drop at three points and provide the smallest measurement.

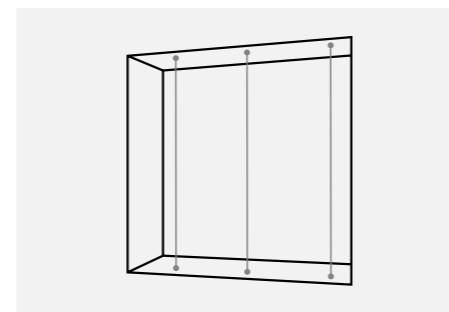
Face fix your blinds to minimize light see page and the imperfections of your window. Brackets are usually positioned one at each end but some wider blinds, particularly Venetians, need an additional centre bracket for support.

Keep in mind, if you do choose recess (inside) fit blinds, that light will show through gaps on either side. For greater light blackout choose face fix.

NOTE: If there are large variations in either your width or drop measurements, it is advisable to face fix your blinds to minimize light seepage and the imperfections of your window.



If your window is larger than 2400mm you may need to install two or three blinds.



If you have an uneven window/sill measurement: take the smallest. For a floor measurement: take the shortest. Where the window is not to the floor, blinds should be extended for an additional 150mm below the sill to minimize light.

Our team can help with any questions you may have when you bring your measurements in store.

Name: \_\_\_\_\_ Phone: \_\_\_\_\_

Address: \_\_\_\_\_

Indoor Blinds									
	Blind 1		Blind 2		Blind 3		Blind 4		
Location Name									
Enter your measurements below; do not make any allowances									
Width (mm) <i>Measure top, middle and bottom</i>	1. _____ 2. _____ 3. _____	1. _____ 2. _____ 3. _____	1. _____ 2. _____ 3. _____	1. _____ 2. _____ 3. _____	1. _____ 2. _____ 3. _____	1. _____ 2. _____ 3. _____	1. _____ 2. _____ 3. _____	1. _____ 2. _____ 3. _____	
Drop (mm)									
Recess/Face Fix	<input type="checkbox"/> Recess Fix <input type="checkbox"/> Face Fix		<input type="checkbox"/> Recess Fix <input type="checkbox"/> Face Fix		<input type="checkbox"/> Recess Fix <input type="checkbox"/> Face Fix		<input type="checkbox"/> Recess Fix <input type="checkbox"/> Face Fix		
Product	<input type="checkbox"/> Roller Blind <input type="checkbox"/> Venetian Blind <input type="checkbox"/> Vertical Blind	<input type="checkbox"/> Cellular Blind <input type="checkbox"/> Panel Blind <input type="checkbox"/> Roman Blind	<input type="checkbox"/> Roller Blind <input type="checkbox"/> Venetian Blind <input type="checkbox"/> Vertical Blind	<input type="checkbox"/> Cellular Blind <input type="checkbox"/> Panel Blind <input type="checkbox"/> Roman Blind	<input type="checkbox"/> Roller Blind <input type="checkbox"/> Venetian Blind <input type="checkbox"/> Vertical Blind	<input type="checkbox"/> Cellular Blind <input type="checkbox"/> Panel Blind <input type="checkbox"/> Roman Blind	<input type="checkbox"/> Roller Blind <input type="checkbox"/> Venetian Blind <input type="checkbox"/> Vertical Blind	<input type="checkbox"/> Cellular Blind <input type="checkbox"/> Panel Blind <input type="checkbox"/> Roman Blind	<input type="checkbox"/> Roller Blind <input type="checkbox"/> Venetian Blind <input type="checkbox"/> Vertical Blind
Control Side	<input type="checkbox"/> Left <input type="checkbox"/> Right		<input type="checkbox"/> Left <input type="checkbox"/> Right		<input type="checkbox"/> Left <input type="checkbox"/> Right		<input type="checkbox"/> Left <input type="checkbox"/> Right		
Fabric & Colour									
Additional Product Information									
<b>Roller</b> Type & Direction	<input type="checkbox"/> Single <input type="checkbox"/> Transition <input type="checkbox"/> Standard	<input type="checkbox"/> Double <input type="checkbox"/> Front	<input type="checkbox"/> Single <input type="checkbox"/> Transition <input type="checkbox"/> Standard	<input type="checkbox"/> Double <input type="checkbox"/> Front	<input type="checkbox"/> Single <input type="checkbox"/> Transition <input type="checkbox"/> Standard	<input type="checkbox"/> Double <input type="checkbox"/> Front	<input type="checkbox"/> Single <input type="checkbox"/> Transition <input type="checkbox"/> Standard	<input type="checkbox"/> Double <input type="checkbox"/> Front	
<b>Venetian</b> Type & Blade size	<input type="checkbox"/> Fauxwood <input type="checkbox"/> Aluminium	<input type="checkbox"/> 50mm <input type="checkbox"/> 63mm <input type="checkbox"/> 25mm	<input type="checkbox"/> Fauxwood <input type="checkbox"/> Aluminium	<input type="checkbox"/> 50mm <input type="checkbox"/> 63mm <input type="checkbox"/> 25mm	<input type="checkbox"/> Fauxwood <input type="checkbox"/> Aluminium	<input type="checkbox"/> 50mm <input type="checkbox"/> 63mm <input type="checkbox"/> 25mm	<input type="checkbox"/> Fauxwood <input type="checkbox"/> Aluminium	<input type="checkbox"/> 50mm <input type="checkbox"/> 63mm <input type="checkbox"/> 25mm	
<b>Vertical</b> Blade size & Blades	<input type="checkbox"/> 89mm <input type="checkbox"/> 100mm <input type="checkbox"/> 127mm	<input type="checkbox"/> Chain <input type="checkbox"/> Chainless <input type="checkbox"/> Sewn in	<input type="checkbox"/> 89mm <input type="checkbox"/> 100mm <input type="checkbox"/> 127mm	<input type="checkbox"/> Chain <input type="checkbox"/> Chainless <input type="checkbox"/> Sewn in	<input type="checkbox"/> 89mm <input type="checkbox"/> 100mm <input type="checkbox"/> 127mm	<input type="checkbox"/> Chain <input type="checkbox"/> Chainless <input type="checkbox"/> Sewn in	<input type="checkbox"/> 89mm <input type="checkbox"/> 100mm <input type="checkbox"/> 127mm	<input type="checkbox"/> Chain <input type="checkbox"/> Chainless <input type="checkbox"/> Sewn in	
<b>Cellular</b> Type, Blade & Operation	<input type="checkbox"/> Single Cell <input type="checkbox"/> Double Cell <input type="checkbox"/> Standard <input type="checkbox"/> Day Night <input type="checkbox"/> Top Down, Bottom Up	<input type="checkbox"/> 25mm <input type="checkbox"/> 38mm <input type="checkbox"/> 45mm <input type="checkbox"/> Corded <input type="checkbox"/> Cordless <input type="checkbox"/> Clutch <input type="checkbox"/> Motorised	<input type="checkbox"/> Single Cell <input type="checkbox"/> Double Cell <input type="checkbox"/> Standard <input type="checkbox"/> Day Night <input type="checkbox"/> Top Down, Bottom Up	<input type="checkbox"/> 25mm <input type="checkbox"/> 38mm <input type="checkbox"/> 45mm <input type="checkbox"/> Corded <input type="checkbox"/> Cordless <input type="checkbox"/> Clutch <input type="checkbox"/> Motorised	<input type="checkbox"/> Single Cell <input type="checkbox"/> Double Cell <input type="checkbox"/> Standard <input type="checkbox"/> Day Night <input type="checkbox"/> Top Down, Bottom Up	<input type="checkbox"/> 25mm <input type="checkbox"/> 38mm <input type="checkbox"/> 45mm <input type="checkbox"/> Corded <input type="checkbox"/> Cordless <input type="checkbox"/> Clutch <input type="checkbox"/> Motorised	<input type="checkbox"/> Single Cell <input type="checkbox"/> Double Cell <input type="checkbox"/> Standard <input type="checkbox"/> Day Night <input type="checkbox"/> Top Down, Bottom Up	<input type="checkbox"/> 25mm <input type="checkbox"/> 38mm <input type="checkbox"/> 45mm <input type="checkbox"/> Corded <input type="checkbox"/> Cordless <input type="checkbox"/> Clutch <input type="checkbox"/> Motorised	
<b>Panel</b> Draw type and Track Channel Qty	<input type="checkbox"/> Centre Open Draw <input type="checkbox"/> One Way Draw	<input type="checkbox"/> 3 Channel <input type="checkbox"/> 4 Channel <input type="checkbox"/> 5 Channel <input type="checkbox"/> 3 Channel <input type="checkbox"/> 4 Channel <input type="checkbox"/> 5 Channel <input type="checkbox"/> 6 Channel	<input type="checkbox"/> Centre Open Draw <input type="checkbox"/> One Way Draw	<input type="checkbox"/> 3 Channel <input type="checkbox"/> 4 Channel <input type="checkbox"/> 5 Channel <input type="checkbox"/> 3 Channel <input type="checkbox"/> 4 Channel <input type="checkbox"/> 5 Channel <input type="checkbox"/> 6 Channel	<input type="checkbox"/> Centre Open Draw <input type="checkbox"/> One Way Draw	<input type="checkbox"/> 3 Channel <input type="checkbox"/> 4 Channel <input type="checkbox"/> 5 Channel <input type="checkbox"/> 3 Channel <input type="checkbox"/> 4 Channel <input type="checkbox"/> 5 Channel <input type="checkbox"/> 6 Channel	<input type="checkbox"/> Centre Open Draw <input type="checkbox"/> One Way Draw	<input type="checkbox"/> 3 Channel <input type="checkbox"/> 4 Channel <input type="checkbox"/> 5 Channel <input type="checkbox"/> 3 Channel <input type="checkbox"/> 4 Channel <input type="checkbox"/> 5 Channel <input type="checkbox"/> 6 Channel	
<b>Roman</b> Type & Operation	<input type="checkbox"/> Standard <input type="checkbox"/> Back Batten <input type="checkbox"/> Fabric (Soft)	<input type="checkbox"/> 1 Touch <input type="checkbox"/> Motorised <input type="checkbox"/> Standard <input type="checkbox"/> Chain Drive <input type="checkbox"/> Motorised	<input type="checkbox"/> Standard <input type="checkbox"/> Back Batten <input type="checkbox"/> Fabric (Soft)	<input type="checkbox"/> 1 Touch <input type="checkbox"/> Motorised <input type="checkbox"/> Standard <input type="checkbox"/> Chain Drive <input type="checkbox"/> Motorised	<input type="checkbox"/> Standard <input type="checkbox"/> Back Batten <input type="checkbox"/> Fabric (Soft)	<input type="checkbox"/> 1 Touch <input type="checkbox"/> Motorised <input type="checkbox"/> Standard <input type="checkbox"/> Chain Drive <input type="checkbox"/> Motorised	<input type="checkbox"/> Standard <input type="checkbox"/> Back Batten <input type="checkbox"/> Fabric (Soft)	<input type="checkbox"/> 1 Touch <input type="checkbox"/> Motorised <input type="checkbox"/> Standard <input type="checkbox"/> Chain Drive <input type="checkbox"/> Motorised	





# SPOTLIGHT



For your free in-home measure & quote  
call 1300 662 742 or visit [spotlightstores.com](http://spotlightstores.com)